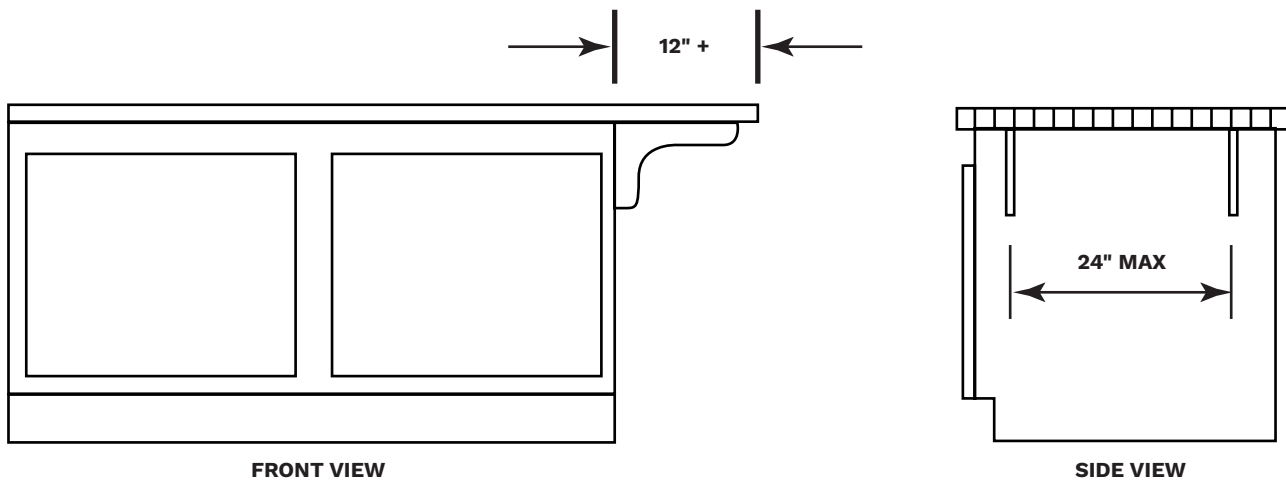


OVERHANG INSTRUCTIONS

Butcher Blocks Kitchen Countertops

OVERHANG ON ENDS

In the case that a top is placed on a base that results in an overhang of 12" or more inches on the ENDS, the overhang portion must be stabilized by brackets. (See illustration below.)



OVERHANG ON SIDES

In the case that a top is placed on a base that results in an overhang of 8" or more inches on the SIDES, the overhang portion must be stabilized by brackets. (See illustration below.)

