

"CU-GB" AMERICAN HERITAGE COLLECTION

Maple Gathering Block - 4" Thick End Grain Top

FEATURES:

- Northern Hard Rock Maple
- End Grain Construction
- Painted Lower Shelf
- Base Color Options Available With Distressed Finish
- Boos Block Cream With Beeswax Finish

CERTIFICATIONS:



NHLA



CU-GB3624-BK

COLOR BASE OPTIONS



ALABASTER
(-AL)



CAVIAR BLACK
(-BK)



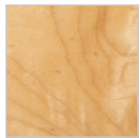
SLATE GRAY
(-SG)



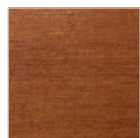
BARN RED
(-BN)



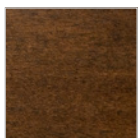
BASIL
(-BS)



NATURAL MAPLE
(-N)



WARM CHERRY
STAIN (-CR)



WALNUT STAIN
(-WT)



USEFUL GRAY
STAIN (-UG)

ACCESSORIES

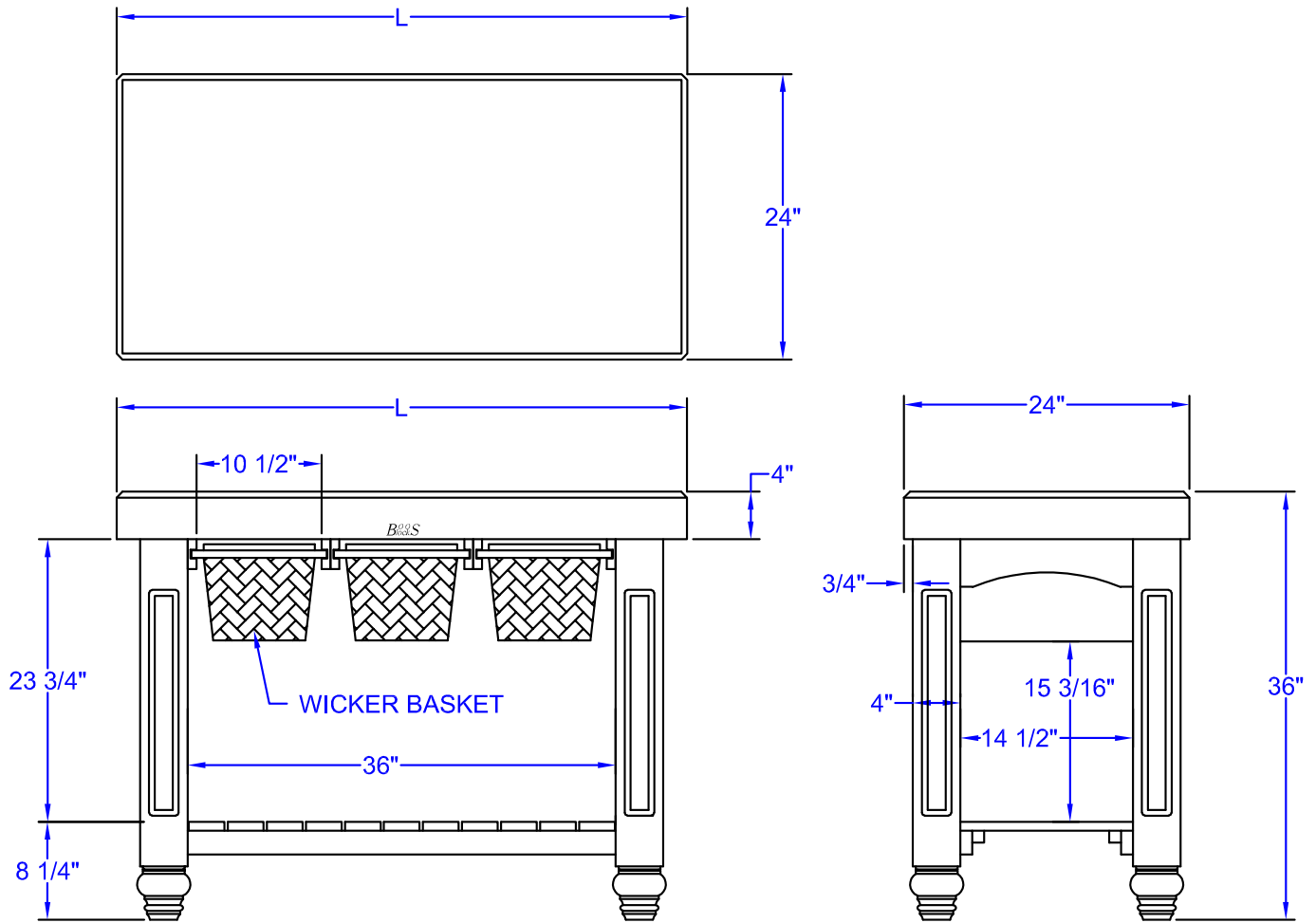
MODEL	DESCRIPTION
CU-D14-P	Painted Utensil Drawer (Color Same As Base)
DWB8156	Wicker Baskets (EA)

"CU-GB" GATHERING BLOCKS

MODEL	DESCRIPTION	TOP SIZE (L X W X H)	OVERALL HEIGHT	WT. (LBS)
CU-GB25	1 Basket Included	25"x24"x4"	36"	140
CU-GB3624	2 Baskets Included	36"x24"x4"	36"	190
CU-GB4824	3 Baskets Included	48"x24"x4"	36"	237

ALL DIMENSIONS ARE TYPICAL. TOLERANCE +/- .125". JOHN BOOS & CO. RESERVES THE RIGHT TO CHANGE SPECIFICATIONS WITHOUT NOTICE.

DETAILED SPECIFICATIONS



"CU-GB" GATHERING BLOCKS

MODEL	DESCRIPTION	TOP SIZE (L X W X H)	OVERALL HEIGHT	WT. (LBS)
CU-GB25	1 Basket Included	25"x24"x4"	36"	140
CU-GB3624	2 Baskets Included	36"x24"x4"	36"	190
CU-GB4824	3 Baskets Included	48"x24"x4"	36"	237

ALL DIMENSIONS ARE TYPICAL. TOLERANCE +/- .125". JOHN BOOS & CO. RESERVES THE RIGHT TO CHANGE SPECIFICATIONS WITHOUT NOTICE.