

"WAL-HAR" AMERICAN HERITAGE COLLECTION *Walnut Harvest Table - 4" Thick End Grain Top*

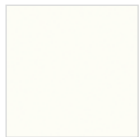
FEATURES:

- American Black Walnut
- End Grain Construction
- (2) Painted Slatted Shelves
- (3) Wicker Baskets
- Base Color Options Available
- Boos Block Cream With Beeswax Finish

CERTIFICATIONS:



COLOR BASE OPTIONS



ALABASTER
(-AL)



CAVIAR BLACK
(-BK)



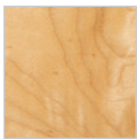
SLATE GRAY
(-SG)



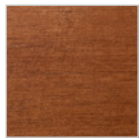
BARN RED
(-BN)



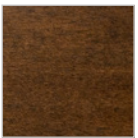
BASIL
(-BS)



NATURAL MAPLE
(-N)



WARM CHERRY
STAIN (-CR)



WALNUT STAIN
(-WT)



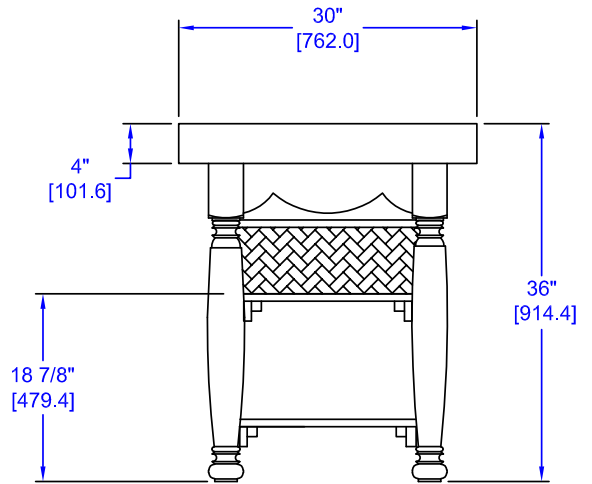
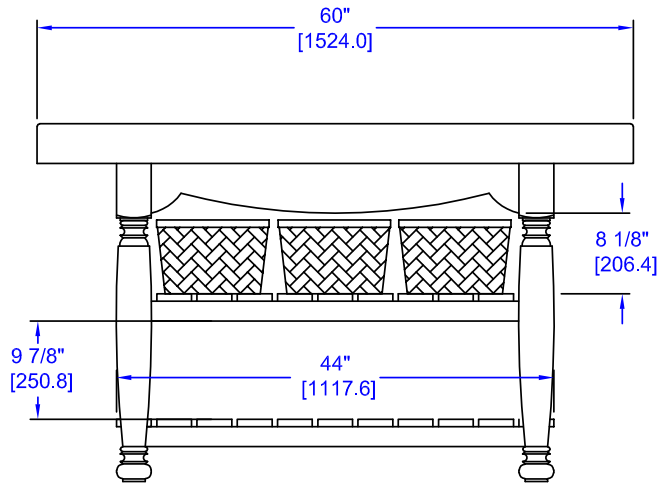
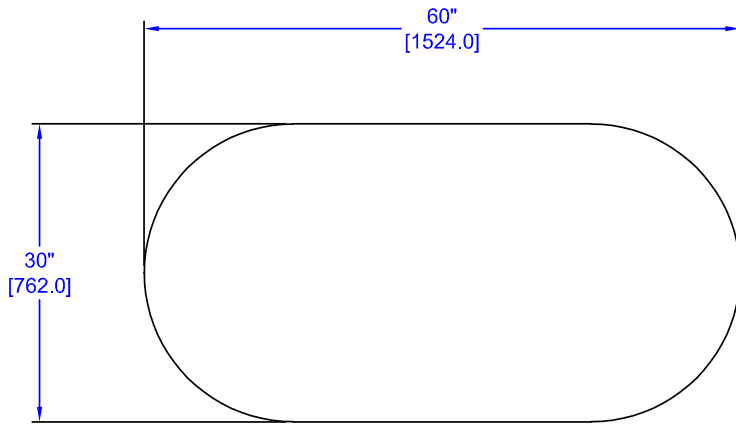
USEFUL GRAY
STAIN (-UG)

"WAL-HAR" HARVEST TABLE

MODEL	TOP SIZE (L X W X H)	OVERALL HEIGHT	WT. (LBS)
WAL-CU-HAR60	60"x30"x4"	36"	260

ALL DIMENSIONS ARE TYPICAL. TOLERANCE +/- .500". JOHN BOOS & CO. RESERVES THE RIGHT TO CHANGE SPECIFICATIONS WITHOUT NOTICE.

DETAILED SPECIFICATIONS



"WAL-HAR" HARVEST TABLE

MODEL	TOP SIZE (L X W X H)	OVERALL HEIGHT	WT. (LBS)
WAL-CU-HAR60	60"x30"x4"	36"	260

ALL DIMENSIONS ARE TYPICAL. TOLERANCE +/- .500". JOHN BOOS & CO. RESERVES THE RIGHT TO CHANGE SPECIFICATIONS WITHOUT NOTICE.