

"OC" AMERICAN HERITAGE COLLECTION Oak Country Work Table - 1½" Thick Edge Grain Top

FEATURES:

- Appalachian Red Oak
- Edge Grain Construction
- Base Color Options Available
- Oil Finish

CERTIFICATIONS:

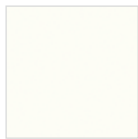


NHLA



OC4825-2S-BN
(WITH CU-D14-P)

COLOR BASE OPTIONS



ALABASTER
(-AL)



CAVIAR BLACK
(-BK)



SLATE GRAY
(-SG)



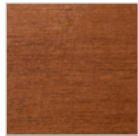
BARN RED
(-BN)



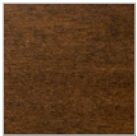
BASIL
(-BS)



NATURAL MAPLE
(-N)



WARM CHERRY
STAIN (-CR)



WALNUT STAIN
(-WT)



USEFUL GRAY
STAIN (-UG)

ACCESSORIES

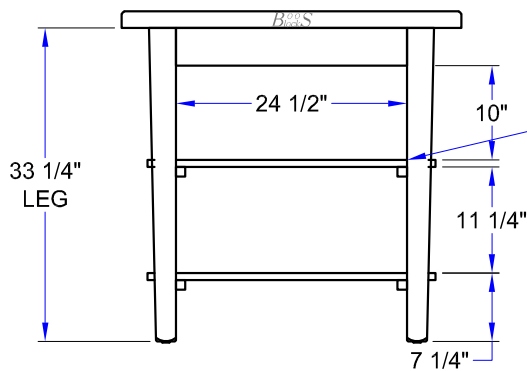
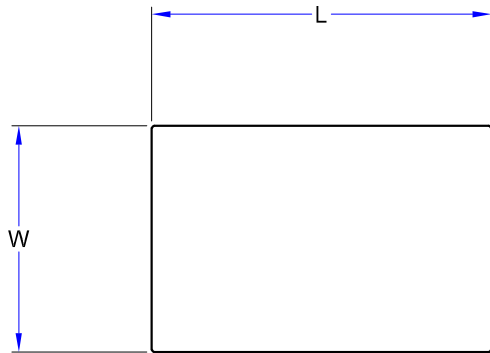
MODEL	DESCRIPTION
CU-D14-P	Painted Utensil Drawer (Color Same As Base)
DWB8156	Wicker Baskets (EA)
CAS03	2-1/2" Commercial Grade Locking Casters

"OC" COUNTRY WORK TABLE

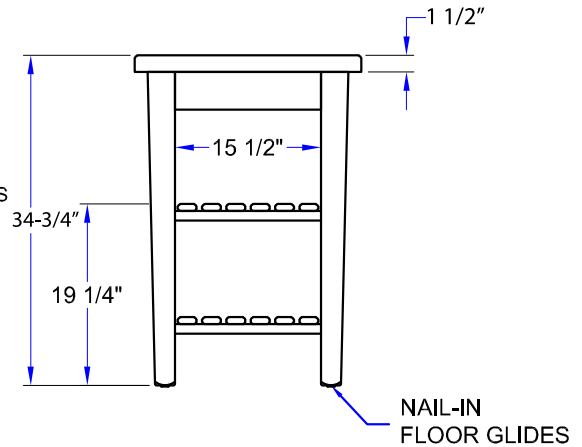
TOP SIZE	NO SHELF	WT	1 SHELF	WT	2 SHELF	WT
36"x25"x1-1/2"	OC3625	57	OC3625-S	77	OC3625-2S	97
48"x25"x1-1/2"	OC4825	70	OC4825-S	77	OC4825-2S	120
60"x25"x1-1/2"	OC6025	82	OC6025-S	95	OC6025-2S	148
48"x30"x1-1/2"	OC4830	78	OC4830-S	109	OC4830-2S	140
60"x30"x1-1/2"	OC6030	93	OC6030-S	130	OC6030-2S	157
48"x36"x1-1/2"	OC4836	95	OC4836-S	127	OC4836-2S	159
60"x36"x1-1/2"	OC6036	110	OC6036-S	150	OC6036-2S	192

ALL DIMENSIONS ARE TYPICAL. TOLERANCE +/- .125". JOHN BOOS & CO. RESERVES THE RIGHT TO CHANGE SPECIFICATIONS WITHOUT NOTICE.

DETAILED SPECIFICATIONS



SHOWN WITH
OPTIONAL SHELVES



"OC" COUNTRY WORK TABLE

TOP SIZE	NO SHELF	WT	1 SHELF	WT	2 SHELF	WT
36"x25"x1-1/2"	OC3625	57	OC3625-S	77	OC3625-2S	97
48"x25"x1-1/2"	OC4825	70	OC4825-S	77	OC4825-2S	120
60"x25"x1-1/2"	OC6025	82	OC6025-S	95	OC6025-2S	148
48"x30"x1-1/2"	OC4830	78	OC4830-S	109	OC4830-2S	140
60"x30"x1-1/2"	OC6030	93	OC6030-S	130	OC6030-2S	157
48"x36"x1-1/2"	OC4836	95	OC4836-S	127	OC4836-2S	159
60"x36"x1-1/2"	OC6036	110	OC6036-S	150	OC6036-2S	192

ALL DIMENSIONS ARE TYPICAL. TOLERANCE +/- .125". JOHN BOOS & CO. RESERVES THE RIGHT TO CHANGE SPECIFICATIONS WITHOUT NOTICE.