

### "CUCNB" CUCINA AMERICANA COLLECTION

*Maple Cucina Classico - 1½" Thick Edge Grain Top*

**FEATURES:**

- Northern Hard Rock Maple
- Edge Grain Construction
- Stainless Steel Legs & Center Bracing
- Varnique Finish

**CERTIFICATIONS:**



NHLA



### ACCESSORIES

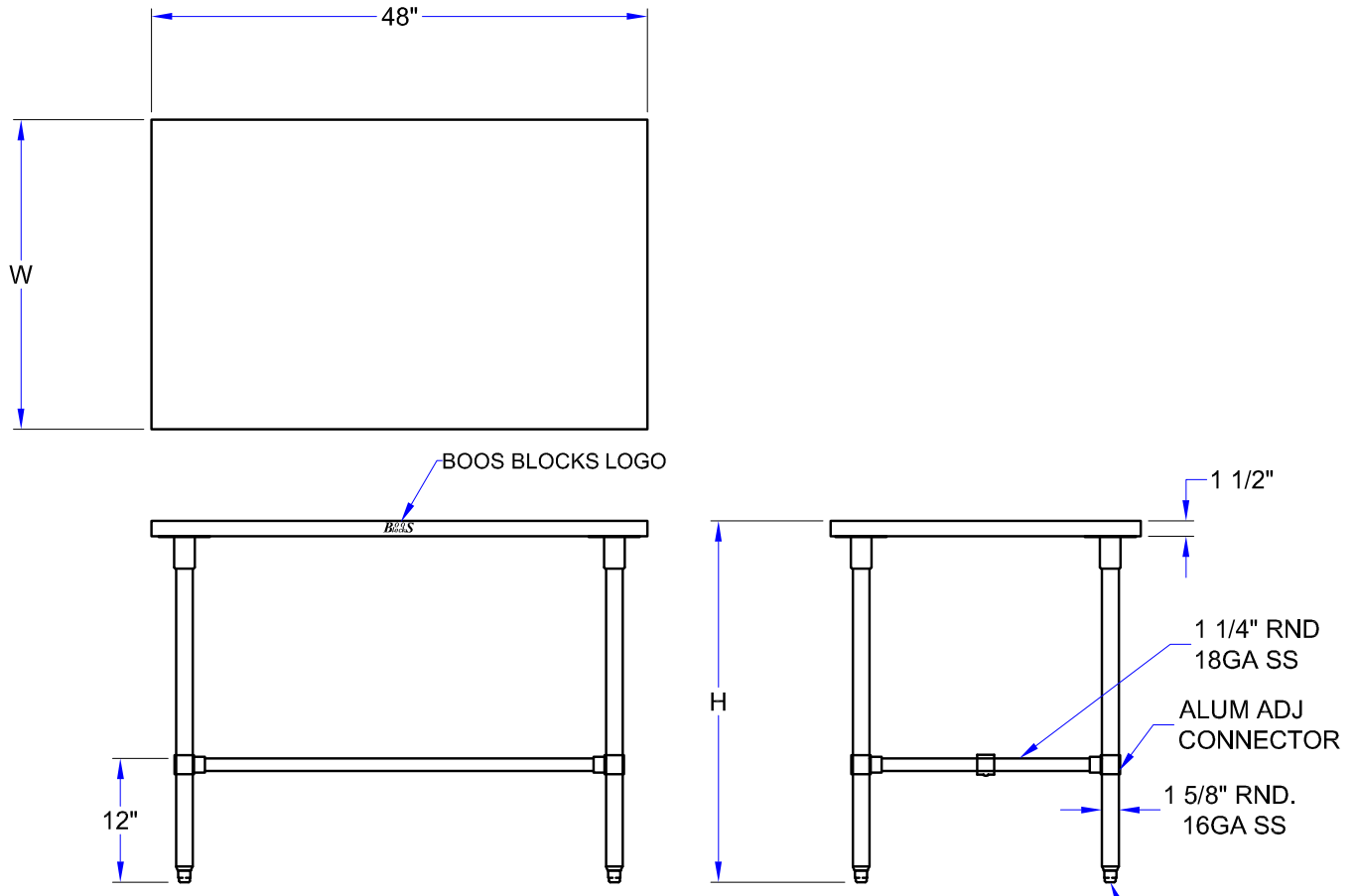
MODEL	DESCRIPTION
CAS01-R	Set Of 4 - 5" Locking Casters

### "CUCNB" CUCINA CLASSICO

MODEL	SIZE (L X W X H)	OVERALL HEIGHT	WT. (LBS)
CUCNB02	48"x24"x1-1/2"	35"	72
CUCNB08	48"x30"x1-1/2"	35"	80
CUCNB02-40	48"x24"x1-1/2"	40"	77
CUCNB08-40	48"x30"x1-1/2"	40"	85

ALL DIMENSIONS ARE TYPICAL. TOLERANCE +/- .500". JOHN BOOS & CO. RESERVES THE RIGHT TO CHANGE SPECIFICATIONS WITHOUT NOTICE.

# DETAILED SPECIFICATIONS



## "CUCNB" CUCINA CLASSICO

MODEL	SIZE (L X W X H)	OVERALL HEIGHT	WT. (LBS)
CUCNB02	48"x24"x1-1/2"	35"	72
CUCNB08	48"x30"x1-1/2"	35"	80
CUCNB02-40	48"x24"x1-1/2"	40"	77
CUCNB08-40	48"x30"x1-1/2"	40"	85

ALL DIMENSIONS ARE TYPICAL. TOLERANCE +/- .500". JOHN BOOS & CO. RESERVES THE RIGHT TO CHANGE SPECIFICATIONS WITHOUT NOTICE.