

ITEM #: _____ QTY: _____
 MODEL #: _____
 PROJECT NAME: _____

070220

3601 S. Banker St. Effingham, IL 62401 • P.O. BOX 609 • Ph: (888) 431-2667 • Fax: (800) 433-2667

"SDS-W" SANITIZER DISPENSER HOLDER - WALL MOUNT

FEATURES:

- 14GA TYPE 300 STAINLESS STEEL, #4 POLISH, SATIN FINISH
- 6.5" DIAMETER HOLE FITS STANDARD GALLON PUMP BOTTLES OF SOAP OR HAND SANITIZER
- SMALL FOOTPRINT
- EASILY MOUNTS NEAR ENTRYWAYS
- NOTE: SANITIZER DISPENSER NOT INCLUDED



SDS-W-1
(SANITIZER DISPENSER
NOT INCLUDED)

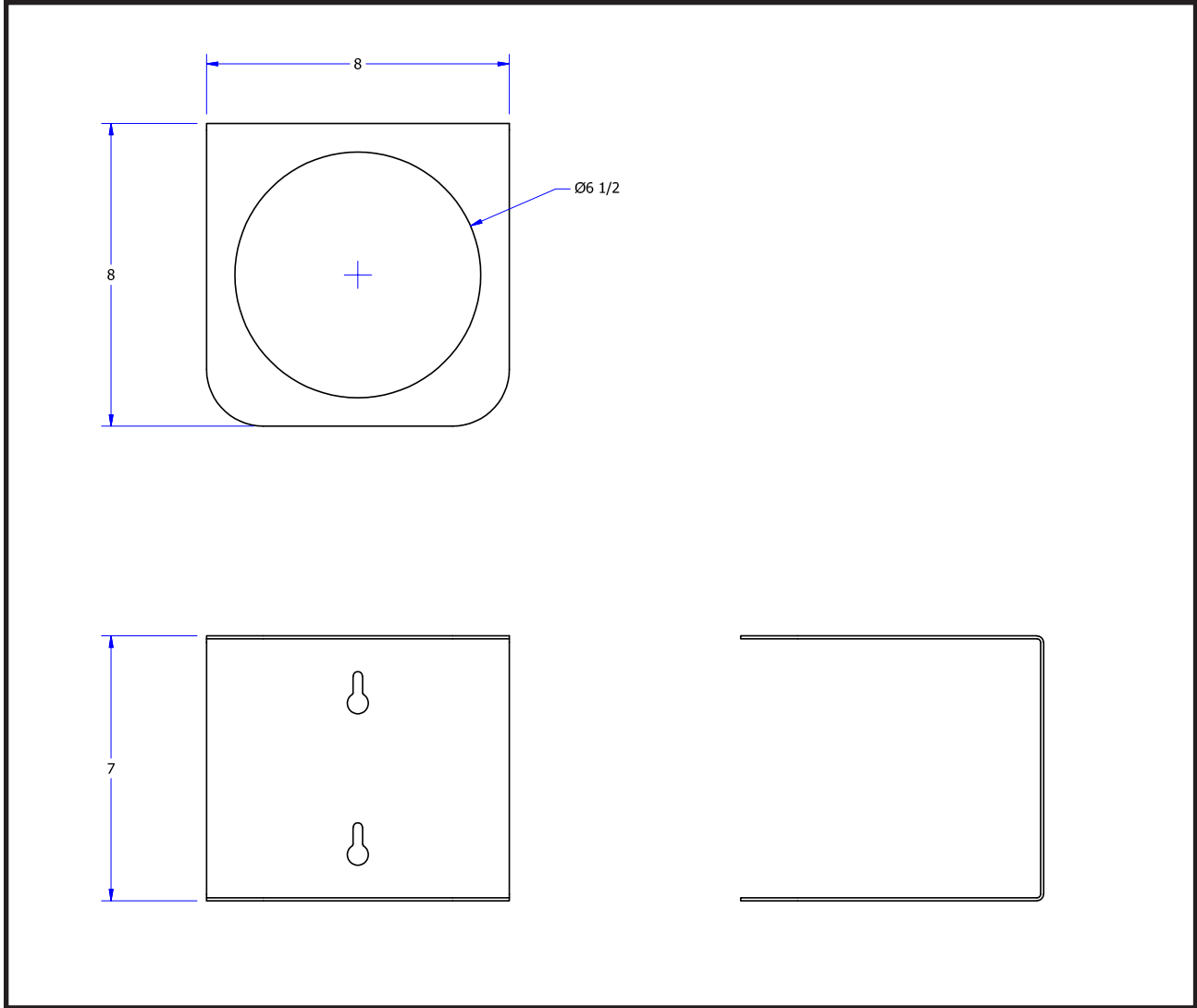
SANITIZER DISPENSER HOLDER - WALL MOUNT

MODEL #	QTY
SDS-W-1	

SOME UNITS SHIP UNASSEMBLED FOR REDUCED SHIPPING COST. ALL DIMENSIONS ARE TYPICAL. TOLERANCE +/- .500"

John Boos & Co. is constantly engaged in a program of improving products and therefore reserves the right to change specifications without prior notice.

DETAILED SPECIFICATIONS



SANITIZER DISPENSER HOLDER - WALL MOUNT

MODEL #	SIZE (L X W X H)	WEIGHT (LBS)
SDS-W-1	8"X8"X7"	3

SOME UNITS SHIP UNASSEMBLED FOR REDUCED SHIPPING COST. ALL DIMENSIONS ARE TYPICAL. TOLERANCE +/- .500"
 John Boos & Co. is constantly engaged in a program of improving products and therefore reserves the right to change specifications without prior notice.

