



**John  
BOOS**  
Since 1887

ITEM #: \_\_\_\_\_ QTY: \_\_\_\_\_  
 MODEL #: \_\_\_\_\_  
 PROJECT NAME: \_\_\_\_\_

090920

3601 S. Banker St. Effingham, IL 62401 • P.O. BOX 609 • Ph: (888) 431-2667 • Fax: (800) 433-2667

## **"SDS-BB-1" HANDS-FREE SANITIZER DISPENSER STAND**

### **FEATURES:**

- HEAVY DUTY CAST IRON BASE
- UNIVERSAL MOUNTING PLATE - FOR MOUNTING WITH SCREWS OR DOUBLE SIDED TAPE
- POWDER COATED MOUNTING PLATE AND BASE
- ADJUSTABLE FLOOR GLIDES
- EASY ASSEMBLY - KNOCKDOWN DESIGN



BACK MOUNTING PLATE



ADJUSTABLE FLOOR GLIDES



SHOWN WITH HANDS-FREE DISPENSER ATTACHED

### **HANDS-FREE SANITIZER DISPENSER STAND**

| MODEL #  | QTY |
|----------|-----|
| SDS-BB-1 |     |

### **HANDS-FREE SANITIZER DISPENSER**

| MODEL # | QTY |
|---------|-----|
| PB-SD-2 |     |



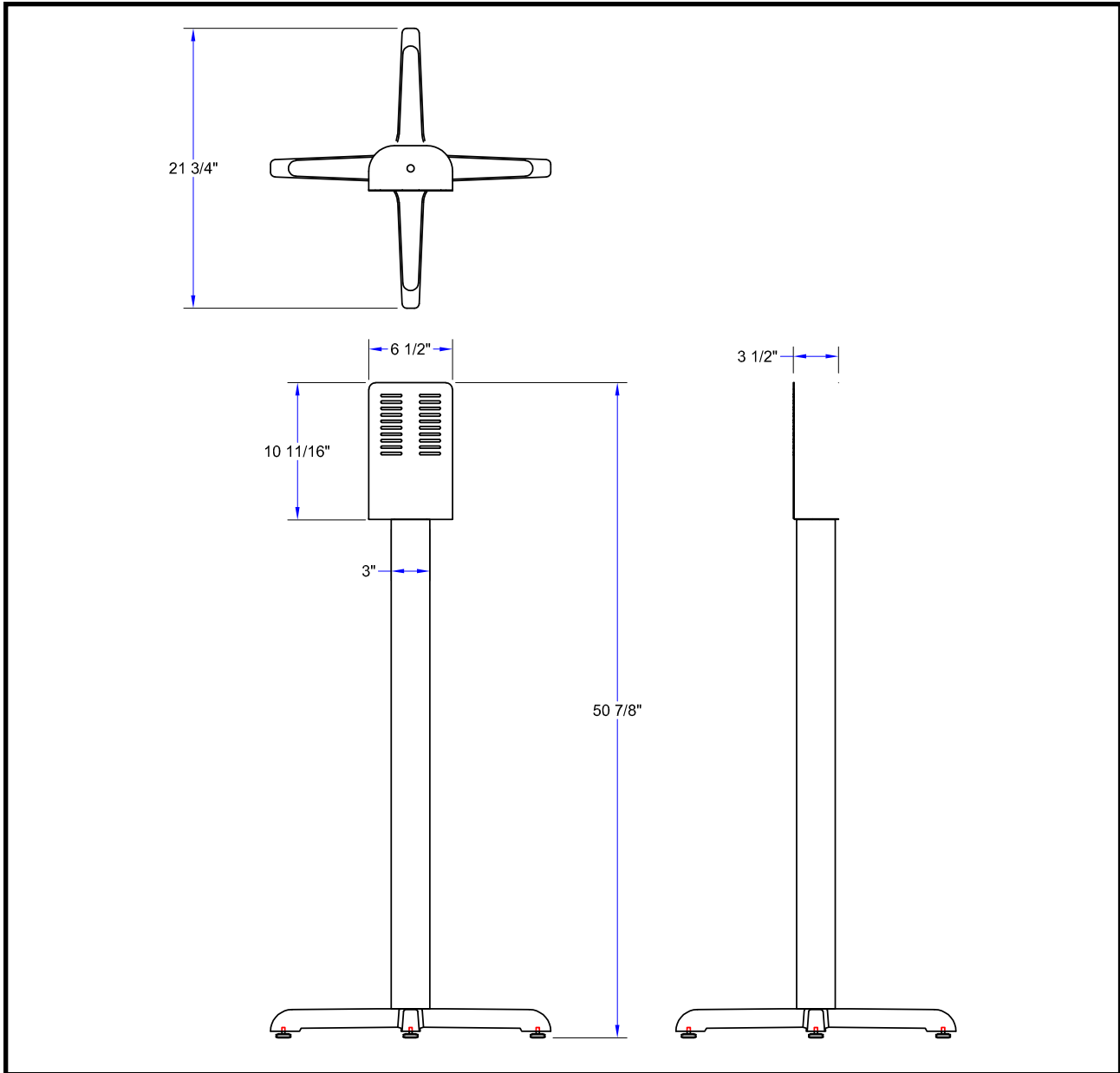
HANDS-FREE SANITIZER DISPENSER PB-SD-2 (SOLD SEPARATELY)

SOME UNITS SHIP UNASSEMBLED FOR REDUCED SHIPPING COST. ALL DIMENSIONS ARE TYPICAL. TOLERANCE +/- .500"

John Boos & Co. is constantly engaged in a program of improving products and therefore reserves the right to change specifications without prior notice.



## DETAILED SPECIFICATIONS



### HANDS-FREE SANITIZER DISPENSER STAND

| MODEL #  | SIZE (L X W X H)        | WEIGHT (LBS) |
|----------|-------------------------|--------------|
| SDS-BB-1 | 21-3/4"X21-3/4"X50-7/8" | 15           |

### HANDS-FREE SANITIZER DISPENSER

| MODEL # | SIZE (L X W X H)  | WEIGHT (LBS) |
|---------|-------------------|--------------|
| PB-SD-2 | 5-1/2"X5-1/2"X12" | 2.5          |

SOME UNITS SHIP UNASSEMBLED FOR REDUCED SHIPPING COST. ALL DIMENSIONS ARE TYPICAL. TOLERANCE +/- .500"  
 John Boos & Co. is constantly engaged in a program of improving products and therefore reserves the right to change specifications without prior notice.

