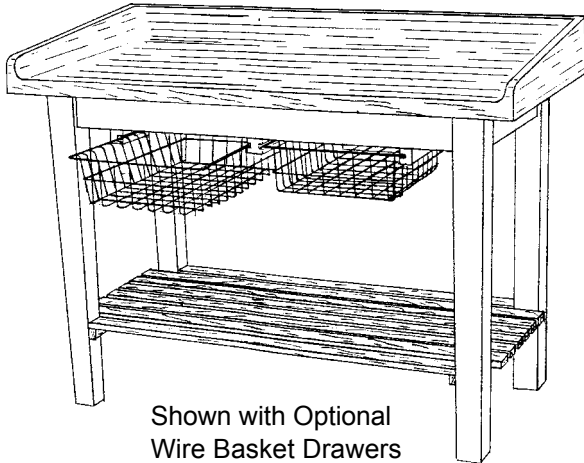


THE BLOCKS THAT MADE BOOS FAMOUS

White House Table (Model WH)



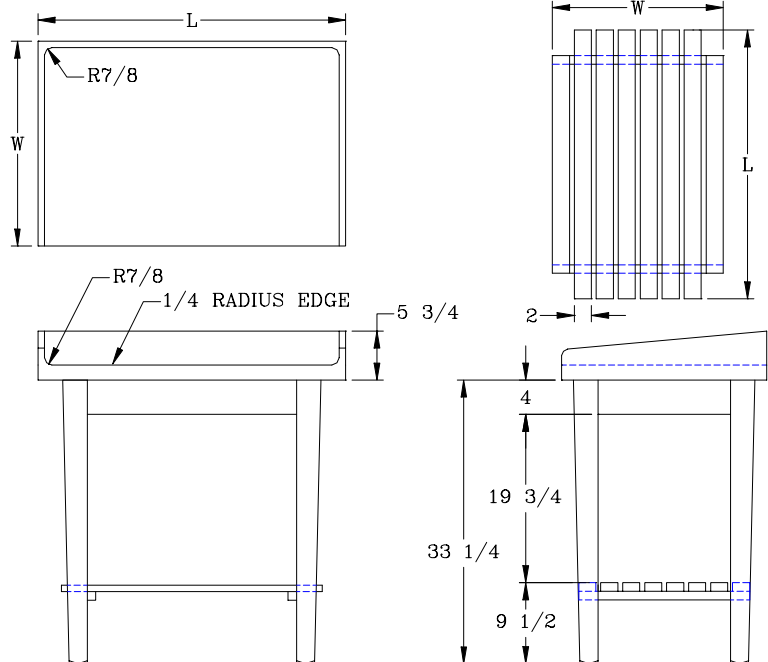
Shown with Optional
Wire Basket Drawers

FEATURES:

- * Solid Hard Rock Maple
- * 1-3/4" Thick Edge Grain Work Surface
- * Finished with Penetrating Oil
- * 4" Coved Backsplash with Tapered Sides
- * Stand 36" O.A.H.
- * Options: Wire Basket Drawers, Casters (CAS03)
- * Shipped knocked-down, easy - to - assemble

Model	Size	Wt
* WH01-O	36"X24"	105
WH02-O	48"X24"	133
WH03-O	60"X24"	180
WH04-O	48"X30"	180
WH05-O	60"X30"	205
WH06-O	48"X36"	190
WH07-O	60"X36"	220

* Denotes ONLY 1
Basket Available



MATERIAL:

Top: Laminated Hard Rock Maple
Legs: Hard Rock Maple

John Boos & Co

315 South First Street - Effingham, IL 62401

Phone: 217-347-7701 - Fax: 217-347-7705

Email: sales@johnboos.com - Web-site: www.johnboos.com