



ITEM #: _____ QTY: _____
 MODEL #: _____
 PROJECT NAME: _____

062217

3601 S. Banker St. Effingham, IL 62401 • P.O. BOX 609 • Ph: (888) 431-2667 • Fax: (800) 433-2667

"TC-3" STAINLESS STEEL WORK TABLES
W/ 3/4" THICK HIGH DENSITY POLYETHYLENE TOP
W/ STAINLESS STEEL BASE & BRACING



FEATURES:

- 3/4" THICK **HIGH DENSITY POLYETHYLENE TOP** SECTIONED PER NSF REGULATIONS. (ALSO AVAILABLE W/ 1/2" OR 1" THICK HIGH DENSITY POLYETHYLENE & 1-1/2" THICK HARD ROCK MAPLE TOP, STYLE "SCT" FLAT TOP
- 1 PIECE HIGH DENSITY POLYETHYLENE TOP AVAILABLE AT NO EXTRA CHARGE, (MUST SPECIFY)
- TOP IS HELD IN PLACE BY WELDED CLIPS, REMOVABLE FOR EASE IN CLEANING
- STAINLESS STEEL BASE & BRACING W/ 6" REMOVABLE BACKSPLASH, TYPE 300 STAINLESS STEEL, W/ #4 POISH, SATIN FINISH
- ADJUSTABLE STAINLESS STEEL BULLET FEET
- SHIPPED STANDARD WELDED SET-UP, AVAILABLE KNOCKDOWN, (MUST SPECIFY)
- APPROVED BY THE NSF & U.S. DEPT. OF AGRICULTURE



MATERIAL:

- TOP: HIGH DENSITY POLYETHYLENE
- FRAME: 1-1/2" SQUARE TUBE 18GA TYPE 300 STAINLESS STEEL W/ #4 POLISH, SATIN FINISH
- BRACING: 1-1/4" ROUND O.D. 18GA TYPE 300 TUBULAR STAINLESS STEEL W/ #4 POLISH, SATIN FINISH
- LEGS: 1-5/8" ROUND O.D. 16GA TYPE 300 TUBULAR STAINLESS STEEL W/ #4 POLISH, SATIN FINISH
- FEET: 1" ADJUSTABLE STAINLESS STEEL BULLET FEET

CONSTRUCTION:

- STAINLESS STEEL BASES ARE TIG WELDED. EXPOSED WELDS ARE POLISHED TO MATCH ADJACENT SURFACE.

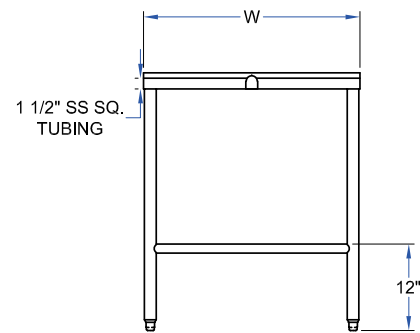
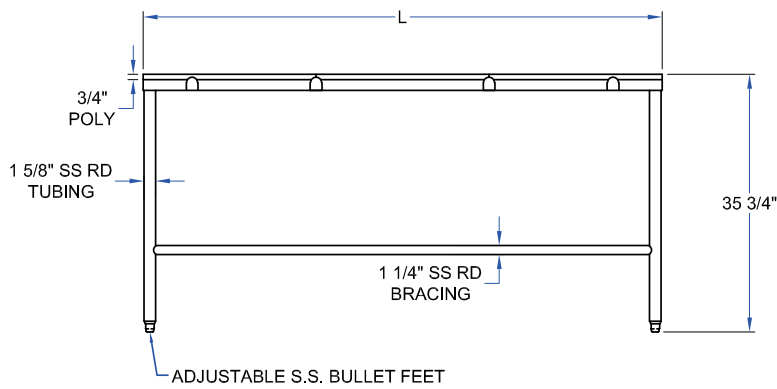
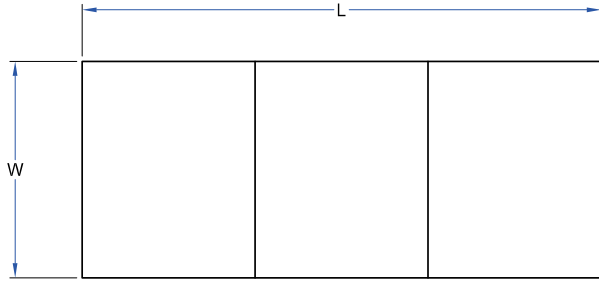
3/4" POLY TOP W/ STAINLESS STEEL BASE & BRACING

OPTIONAL ACCESSORIES

DESCRIPTION	MODEL #	QTY
DRAWER		
DRAWER LOCK		
CASTERS		
LOWER SHELVES		
MEAT BOAT RACKS		
PAPER HOLDER		
K.D. ASSEMBLE		

24" WIDE	QTY	30" WIDE	QTY	36" WIDE	QTY
TC043		TC050		TC057	
TC044		TC051		TC058	
TC045		TC052		TC059	
TC046		TC053		TC060	
TC047		TC054		TC061	
TC048		TC055		TC062	
TC0048A		TC055A		TC062A	
TC049		TC056		TC063	

DETAILED SPECIFICATIONS



- UNITS 7 FT. AND LARGER ARE FURNISHED WITH SIX LEGS.

3/4" POLY TOP W/ STAINLESS STEEL BASE & BRACING

L	24" WIDE	WT. (LBS)	30" WIDE	WT. (LBS)	36" WIDE	WT. (LBS)
36"	TC043	48	TC050	55	TC057	62
48"	TC044	58	TC051	69	TC058	78
60"	TC045	68	TC052	85	TC059	91
72"	TC046	81	TC053	98	TC060	111
84"	TC047	94	TC054	119	TC061	135
96"	TC048	104	TC055	126	TC062	149
108"	TC048A	117	TC055A	138	TC062A	160
120"	TC049	129	TC056	150	TC063	170

SOME UNITS SHIP UNASSEMBLED FOR REDUCED SHIPPING COST. ALL DIMENSIONS ARE TYPICAL. TOLERANCE +/- .500"
 John Boos & Co. is constantly engaged in a program of improving products and therefore reserves the right to change specifications without prior notice.



Boos
locks

AQ AutoQuotes

3601 S. Banker St. • Effingham, IL 62401 • PO BOX 609 • quotes@johnboos.com

www.johnboos.com

062217

517