



"SBO-G" Baker's Table Frame

w/ Galvanized Base



Item #	_____	Qty	_____
Model #	_____		
Project	_____		



**Shown with
2-1/4" Thick Hard Rock Maple Top
Model Series "BKSC"**

30" WIDE			36" WIDE			48" WIDE			60" WIDE		
Frame	Wood Top	QTY	Frame	Wood Top	QTY	Frame	Wood Top	QTY	Frame	Wood Top	QTY
SBO-G01	BKSC76O		SBO-G02	BKSC48O		-	-		-	-	
SBO-G03	BKSC77O		SBO-G04	BKSC49O		-	-		-	-	
SBO-G05	BKSC78O		SBO-G06	BKSC01O		*SBO-G07	BKSC23O		-	-	
*SBO-G08	BKSC79O		*SBO-G09	BKSC02O		*SBO-G10	BKSC24O		*SBO-G11	BKSC35O	
*SBO-G12	BKSC80O		*SBO-G13	BKSC03O		*SBO-G14	BKSC25O		*SBO-G15	BKSC36O	
*SBO-G12A	BKSC81O		*SBO-G13A	BKSC04O		*SBO-G14A	BKSC26O		*SBO-G15A	BKSC37O	
*SBO-G17	BKSC82O		*SBO-G18	BKSC05O		*SBO-G19	BKSC27O		*SBO-G20	BKSC38O	
*SBO-G22	BKSC84O		*SBO-G23	BKSC07O		*SBO-G24	BKSC29O		*SBO-G25	BKSC40O	
*SBO-G27	BKSC86O		SBO-G28	BKSC09O		SBO-G29	BKSC31O		SBO-G30	BKSC42O	

* (Asterisk) denotes tables with 6 legs.

FEATURES:

- * Galvanized Base are fabricated from 1 1/2 " square tube 16 gauge,
- * Legs are 1 5/8" O.D. Round 16 gauge tubing,
- * Bracing are 1 1/4" O.D. Round 16 gauge tubing, secured in a fixed position, 12" above floor
- * Adjustable bullet feet
- * Standard welded Set-Up, available K.D. for freight saving
- * Optional drawers, casters, pot racks, etc. available
- * All models are approved by the National Sanitation Foundation

IMPORTANT:
When ordering a Complete Table you must specify **BOTH** the Frame & Wood Top model numbers

CONSTRUCTION:

- * Galvanized Bases are MIG welded

MATERIAL:

- Frame: 1 1/2" Square O.D., 16 gauge
- Bracing: 1 1/4" Round O.D., 16 gauge
- Legs: 1 5/8" Round O.D., 16 gauge
- Gussets: Galvanized
- Feet: 1" adjustable galvanized bullet feet

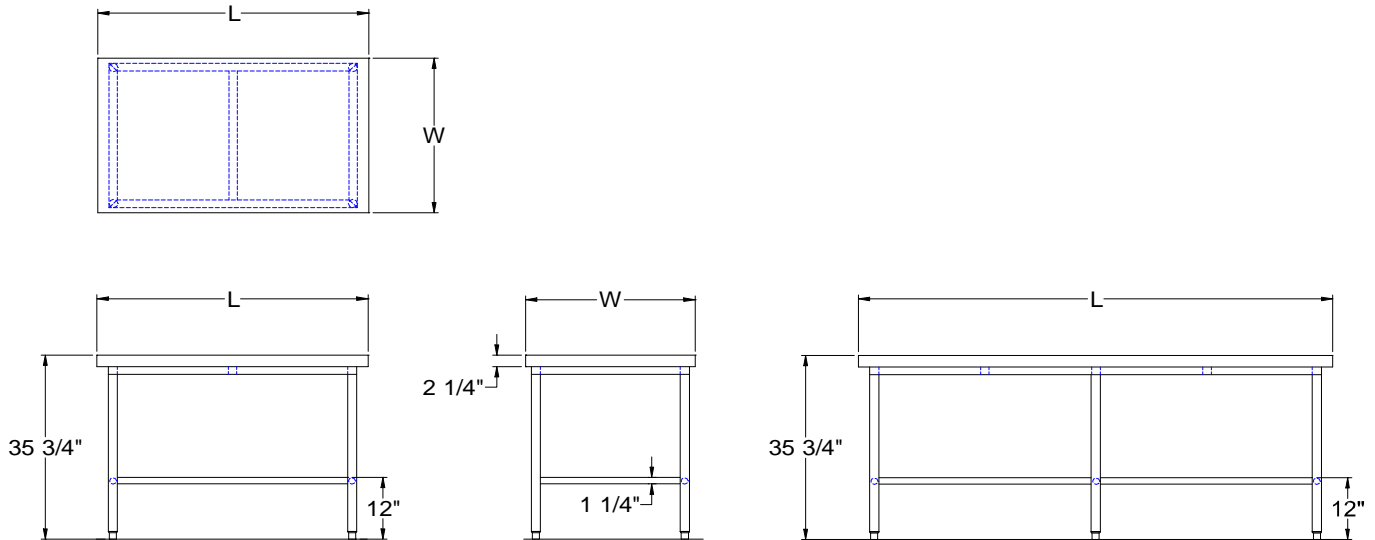
OPTIONAL ACCESSORIES

	MODEL #	Qty
DRAWER		
DRAWER LOCK		
UNDERSHELF		
CASTERS		
OVERSHELVES		
POT RACK		

John Boos & Co

3601 S. Banker Street - Effingham, IL 62401
 Phone: 217-347-7701 - Fax: 217-347-7705
 Email: sales@johnboos.com - Web-site: www.johnboos.com

DETAILED SPECIFICATIONS



All units ship unassembled for reduced shipping cost
 Units 7 ft. and larger are furnished with six legs.
 All dimensions are typical.
 Tolerance +/- .500".

GALVANIZED BASE

L	30" WIDE	WT.	36" WIDE	WT.	48" WIDE	WT.	60" WIDE	WT.
48	SBO-G01	129	SBO-G02	150	-	-	-	-
60	SBO-G03	155	SBO-G04	180	-	-	-	-
72	SBO-G05	231	SBO-G06	270	*SBO-G07	347	-	-
84	*SBO-G08	213	*SBO-G09	248	*SBO-G10	319	*SBO-G11	390
96	*SBO-G12	239	*SBO-G13	279	*SBO-G14	359	*SBO-G15	440
108	*SBO-G12A	256	*SBO-G13A	281	*SBO-G14A	302	*SBO-G15A	322
120	*SBO-G17	297	*SBO-G18	344	*SBO-G19	442	*SBO-G20	544
144	*SBO-G22	354	*SBO-G23	413	*SBO-G24	531	*SBO-G25	650
168	*SBO-G27	-	*SBO-G28	475	*SBO-G29	612	*SBO-G30	749

Bottom Brace Location

L	30" WIDE	BRACE	36" WIDE	BRACE	48" WIDE	BRACE	60" WIDE	BRACE
48	SBO-G01	Rear	SBO-G02	Rear	-	-	-	-
60	SBO-G03	Rear	SBO-G04	Rear	-	-	-	-
72	SBO-G05	Rear	SBO-G06	Rear	*SBO-G07	Centered	-	-
84	*SBO-G08	Rear	*SBO-G09	Rear	*SBO-G10	Centered	*SBO-G11	Centered
96	*SBO-G12	Rear	*SBO-G13	Rear	*SBO-G14	Centered	*SBO-G15	Centered
108	*SBO-G12A	Rear	*SBO-G13A	Rear	*SBO-G14A	Centered	*SBO-G15A	Centered
120	*SBO-G17	Rear	*SBO-G18	Rear	*SBO-G19	Centered	*SBO-G20	Centered
144	*SBO-G22	Rear	*SBO-G23	Rear	*SBO-G24	Centered	*SBO-G25	Centered
168	SBO-S27	Rear	*SBO-G28	Rear	*SBO-G29	Centered	*SBO-G30	Centered

John Boos & Co

3601 S. Banker Str - Effingham, IL 62401 Phone: 217-347-7701 - Fax: 217-347-7705
 Email: sales@johnboos.com - Web-site: www.johnboos.com



July 2013

John Boos is constantly engaged in a program of improving products and therefore reserves the right to change specification without prior notice