

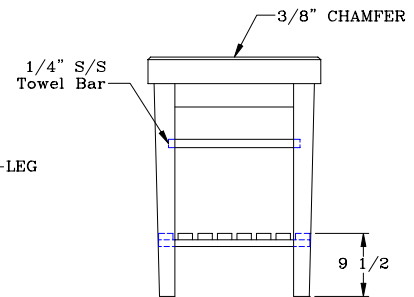
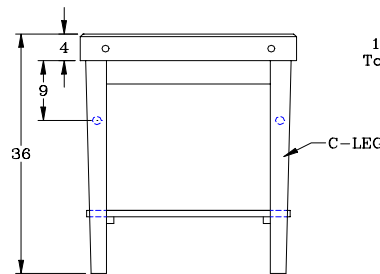
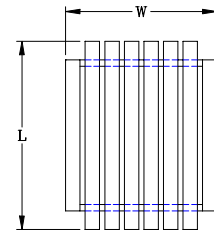
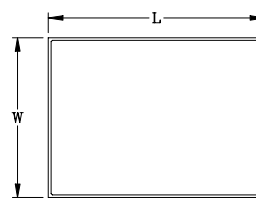
## THE BLOCKS THAT MADE BOOS FAMOUS



### Pro Prep Block (Model PPB)

#### FEATURES:

- \* Solid Hard Rock Maple
- \* 4" End Grain Work Surface
- \* Finished with Penetrating Oil
- \* Stand 36" O.A.H.
- \* Standard w/ 1-1/4" Round Stainless Steel Tie Bars
- \* Options: Pot Rack (POTR), Casters (CAS03)
- Utensil Drawer (D14) **Not Available on 24"x24"**
- \* Shipped knocked-down, easy - to - assemble
- \* UPSable



Model	Size	Wt
PPB2424	24"x24"	105
PPB3024	30"X24"	115
PPB3030	30"X30"	125
PPB3624	36"X24"	160

### Pro Prep Pot Rack (Model POTR)

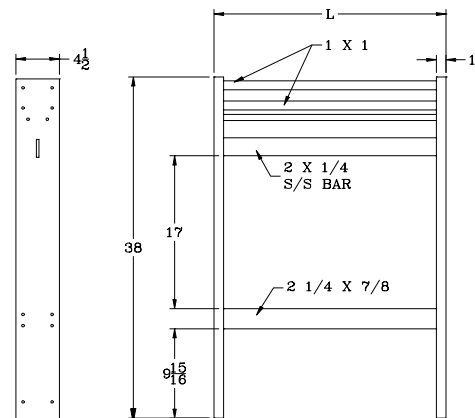
Model	Size	Wt	Hooks
POTR24	24"	20	4
POTR30	30"	23	5
POTR36	36"	26	5

#### FEATURES:

- \* 1" Thick Hard Rock Maple
- \* Finished with Penetrating Oil
- \* 3/16 Stainless Steel Bar & Stainless Hooks

#### MATERIAL:

Top: End Grain Hard Rock Maple  
Legs: Hard Rock Maple



## John Boos & Co

315 South First Street - Effingham, IL 62401

Phone: 217-347-7701 - Fax: 217-347-7705

Email: sales@johnboos.com - Web-site: www.johnboos.com