



# "M-1" Galvanized Cutting Tables

w/ 3/4" High Density Polyethylene  
 w/ 6" Removable Backsplash  
 w/ Galvanized Base and Bracing



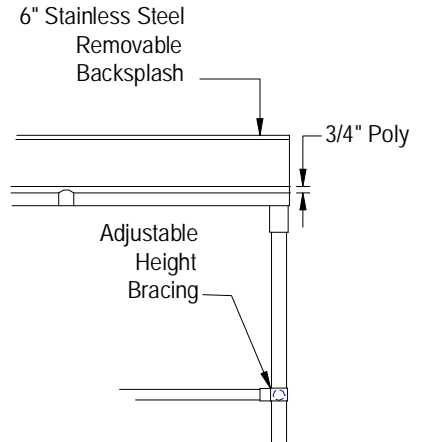
AUTOQUOTES



3/4" POLY TOP w/ GALVANIZED BASE and BRACING					
24"WIDE	Qty	30"WIDE	Qty	36"WIDE	Qty
M022		M029		M036	
M023		M030		M037	
M024		M031		M038	
M025		M032		M039	
M026		M033		M040	
M027		M034		M041	
M027A		M034A		M041A	
M028		M035		M042	

**FEATURES:**

- \* 3/4" thick **High Density Polyethylene Top**, sectioned per NSF regulation also available with 1/2" Or 1" thick High Density Polyethylene and 1 1/2" thick Hard Rock Maple Top, top style "SCT" flat top
- \* One piece High Density Polyethylene Top available at no extra charge must specify
- \* Top is held in place by welded clips, removable for ease in cleaning
- \* Galvanized Base, Bracing and **6" Removable Backsplash**
- \* Adjustable bullet feet
- \* Shipped knocked-down, easy - to - assemble
- \* Optional drawers, casters, pot racks, etc. available
- \* All models are approved by the National Sanitation Foundation and the U.S. Department of Agriculture.



**CONSTRUCTION:**

- \* Galvanized Bases are MIG welded

**MATERIAL:**

Top: High Density Polyethylene  
 Frame: 1 1/2" Square O.D. 18 gauge  
 Bracing: 1 1/4" Round O.D. 18 gauge  
 Legs: 1 5/8" Round O.D., 16 gauge  
 Backsplash: 16 gauge type 300 stainless steel, # 4 polish, satin finish  
 Feet: 1" adjustable galvanized bullet feet

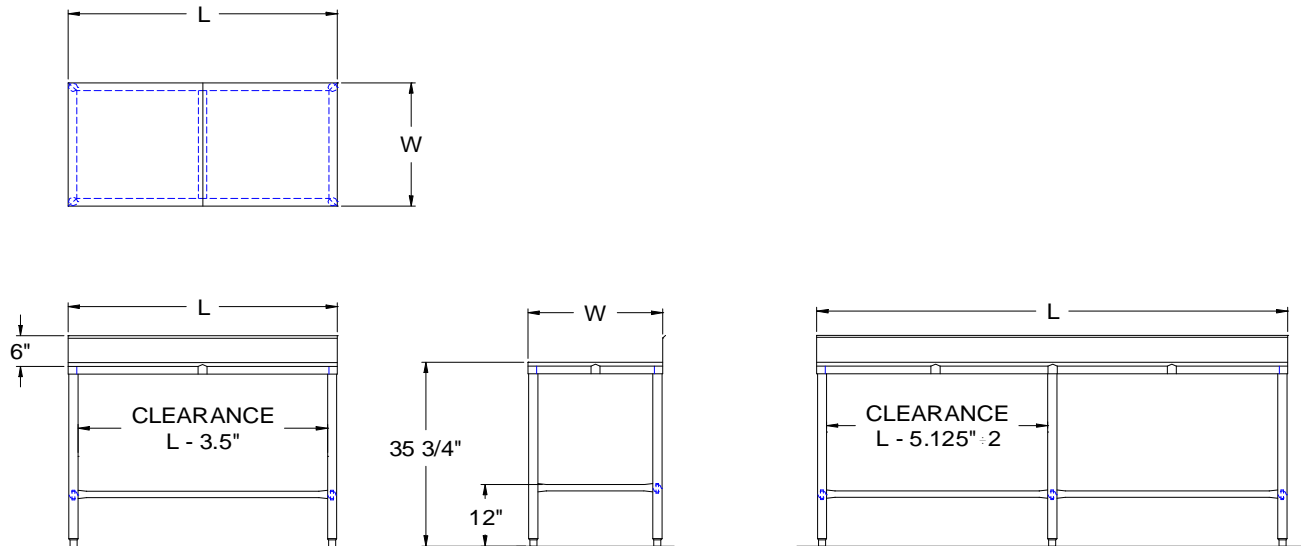
**OPTIONAL ACCESSORIES**

	MODEL #	Qty
DRAWER LOCKS		
DRAWER LOCKS		
CASTERS		
LOWER SHELF		
MEAT BOAT RACK		
PAPER HOLDERS		
WELDED SET-UP		

**John Boos & Co**

3601 S. Banker Street - Effingham, IL 62401  
 Phone: 217-347-7701 - Fax: 217-347-7705  
 Email: sales@johnboos.com - Web-site: www. johnboos.com

## DETAILED SPECIFICATIONS



Shipped Standard Welded Set-Up

Units 7 ft. and larger are furnished with six legs.

All dimensions are typical.

Tolerance +/- .500".

### 3/4" HIGH DENSITY POLYETHYLENE TOP & BRACING

L	24" WIDE	WT.	30" WIDE	WT.	36" WIDE	WT.
36	M022	59	M029	67	M036	74
48	M023	71	M030	80	M037	89
60	M024	86	M031	98	M038	109
72	M025	100	M032	112	M039	128
84	M026	122	M033	139	M040	156
96	M027	133	M034	147	M041	170
108	M027A	145	M034A	163	M041A	185
120	M0285	156	M035	178	M042	200

### John Boos & Co

3601 S. Banker Str - Effingham, IL 62401 Phone: 217-347-7701 - Fax: 217-347-7705

Email: sales@johnboos.com - Web-site: www.johnboos.com



July 2013

**John Boos** is constantly engaged in a program of improving products and therefore reserves the right to change specification without prior notice