

## THE BLOCKS THAT MADE BOOS FAMOUS

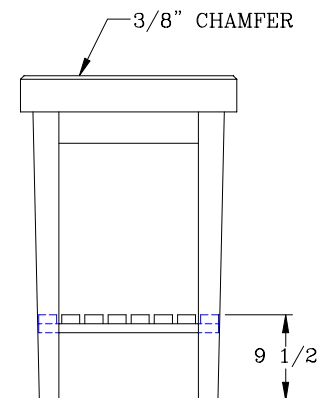
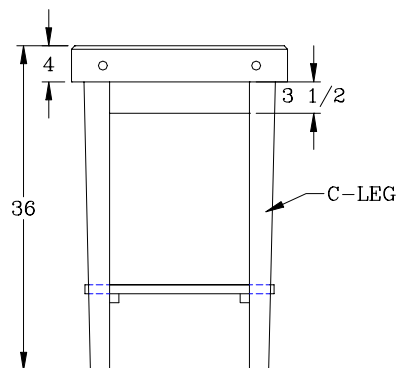
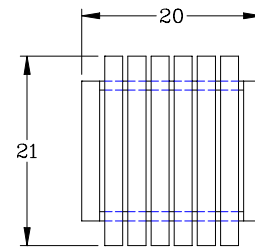
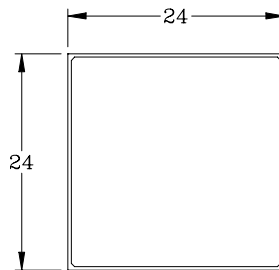
### Gourmet Block Cart (Model GB)



#### FEATURES:

- \* Solid Hard Rock Maple
- \* 24"x24"x4" Thick End Grain Work Surface
- \* Finished with Penetrating Oil
- \* Stand 36" O.A.H.
- \* Options: Casters
- \* Shipped knocked-down, easy - to - assemble
- \* UPSable

Model	Size	Wt
GB	24"x24"	95
GB-C	24"x24" w/Casters	100



#### MATERIAL:

Top: End Grain Hard Rock Maple  
 Legs: Hard Rock Maple

### **John Boos & Co**

315 South First Street - Effingham, IL 62401

Phone: 217-347-7701 - Fax: 217-347-7705

Email: sales@johnboos.com - Web-site: www.johnboos.com