



**John
BOOS**
Since 1887

ITEM #: _____ QTY: _____
 MODEL #: _____
 PROJECT NAME: _____

3601 S. Banker St. Effingham, IL 62401 • P.O. BOX 609 • Ph: (888) 431-2667 • Fax: (800) 433-2667

"ET3S" STAINLESS STEEL ENCLOSED WORK TABLES

SLIDING DOOR STYLE WITH 1-3/4" THICK HARD ROCK MAPLE TOP WITH 4" COVED REAR AND SIDE RISER



FEATURES:

- 1-3/4" THICK HARD ROCK MAPLE TOP "SC" STYLE WITH 4" COVED REAR AND SIDE RISERS
- MAPLE TOP IS FINISHED WITH PENETRATING OIL WITH OPTIONAL NATURAL CLEAR VARNIQUE FINISH
- STAINLESS STEEL TOP, CABINET, & UNDERSHELF, TYPE 300 STAINLESS STEEL WITH #4 POLISH, SATIN FINISH
- UNDERSHELF IS SECURED IN A FIXED POSITION, 14-7/8" ABOVE FLOOR
- SHIPPED STANDARD WELDED SET-UP
- OPTIONAL DRAWERS, CASTERS, POT RACKS, ETC. AVAILABLE
- NSF AND DEPT. OF AGRICULTURE APPROVED

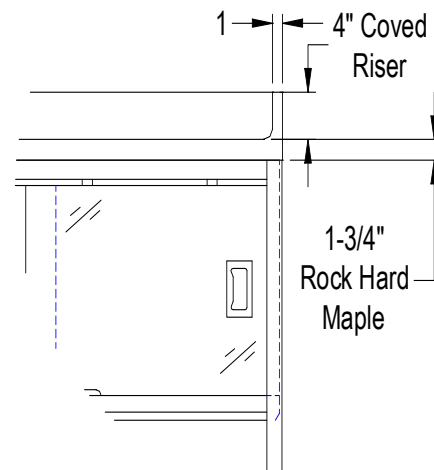


CONSTRUCTION:

- TOP: STAINLESS STEEL TOPS ARE TIG WELDED, EXPOSED WELDS ARE POLISHED TO MATCH ADJACENT SURFACE.

MATERIAL:

- TOP: 1-3/4" THICK HARD ROCK MAPLE FINISHED WITH PENETRATING OIL
- DOORS: 18 GAUGE TYPE 300 STAINLESS STEEL, #4 POLISH WITH SATIN FINISH
- SHELF: 18 GAUGE TYPE 300 STAINLESS STEEL, #4 POLISH WITH SATIN FINISH
- LEGS: 1-1/2" SQUARE O.D., 16 GAUGE TYPE 300 TUBULAR STAINLESS STEEL
- PANELS: 22 GAUGE TYPE 300 STAINLESS STEEL, #4 POLISH WITH SATIN FINISH
- FEET: 1" ADJUSTABLE STAINLESS STEEL FEET



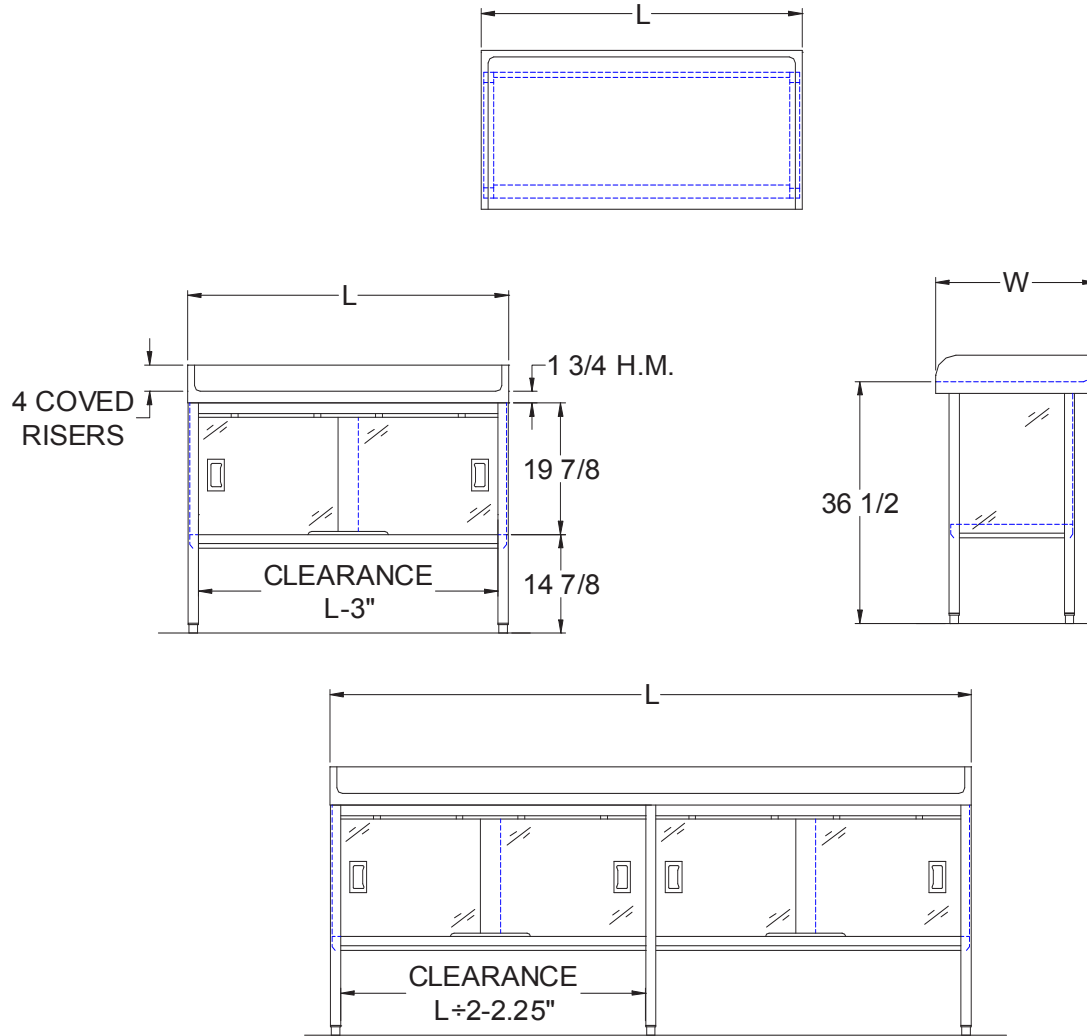
1-3/4" MAPLE TOP

24" WIDE	QTY	30" WIDE	QTY
ET3S01		ET3S06	
ET3S02		ET3S07	
ET3S03		ET3S08	
ET3S03A		ET3S08A	
ET3S04		ET3S09	
ET3S04A		ET3S09A	
ET3S05		ET3S10	

OPTIONAL ACCESSORIES

DESCRIPTION	MODEL #	QTY
CASTERS		
OVERSHELVES		
POT RACKS		
INTERMEDIATE SHELVES		
S/S BUN PAN RACK		

DETAILED SPECIFICATIONS



- UNITS 7 FT. AND LARGER ARE FURNISHED WITH SIX LEGS.
- FINISHED SIZE OF UNDERSHELF.
SHELF LENGTH = LENGTH MINUS 4.875"
SHELF WIDTH = WIDTH MINUS 4.25"

1-3/4" MAPLE TOP

LENGTH	24" WIDE	WT. (LBS)	30" WIDE	WT. (LBS)
48"	ET3S01	150	ET3S06	174
60"	ET3S02	190	ET3S07	224
72"	ET3S03	225	ET3S08	270
84"	ET3S03A	265	ET3S08A	306
96"	ET3S04	305	ET3S09	341
108"	ET3S04A	338	ET3S09A	401
120"	ET3S05	370	ET3S10	460

SOME UNITS SHIP UNASSEMBLED FOR REDUCED SHIPPING COST. ALL DIMENSIONS ARE TYPICAL. TOLERANCE +/- .500"
John Boos & Co. is constantly engaged in a program of improving products and therefore reserves the right to change specifications without prior notice.

