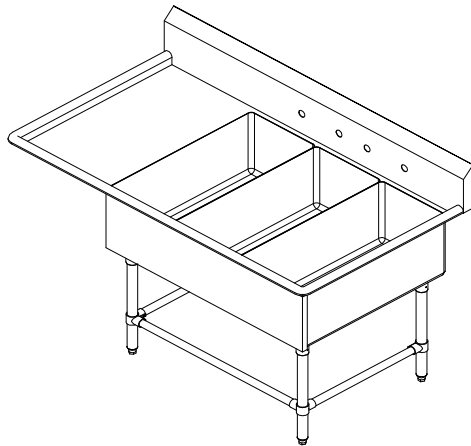




# "3PBPS1431-1DB" Pro-Bowl Sinks

Three Compartment Sinks w/ 1 Drainboard  
w/ Galvanized Base & Bracing



**PREMIUM:** 14 ga. 304 S/S welded Bowls  
14 ga. 304 S/S Drainboard and Splash  
10" Back Splash



**STANDARD:** 16 ga. 304 S/S welded Bowls  
16 ga. 304 S/S Drainboard and Splash  
10" Back Splash

STANDARD 16 Gauge		PREMIUM 14 Gauge	
	Qty		Qty
3PBPS1431-1D18		43PBPS1431-1D18	
3PBPS1431-1D24		43PBPS1431-1D24	
3PBPS1431-1D30		43PBPS1431-1D30	

**Must specify Left or Right  
Drainboards**

**Bowl Sizes:**

14" X 31"

**FEATURES:**

- \* Standard 16 Gauge (optional 14 gauge)  
Type 300 stainless steel with # 3 polish, satin finish
- \* 12" Deep Bowls (optional 14" deep bowls)
- \* All Corners, both vertical and horizontal, coved at 5/8" radius
- \* Bottoms of bowls formed for drainage to 3-1/2" diameter die stamped opening
- \* Full length **10" High Boxed Backsplash**, with 2" return to wall at 45 degree and 3/4" turned down rear lip
- \* 1-1/2" Faucet Holes in Backsplash
- \* Solid Stainless Steel front panel, type 300 stainless steel with # 3 polish, satin finish
- \* All outside corners of assembly are Bullnosed to provide safe, clean and polished edge
- \* Standard legs 1-5/8" diameter, 16 gauge galvanized steel 100% pre-galvanized steel - **Not Plated** (optional stainless steel)
- \* Legs located directly under sink bowls, providing increased stability and maximum weight support

**CONSTRUCTION:**

Top: Stainless Steel Sinks are TIG welded, Exposed welds are polished to match adjacent surface.

Bases: Galvanized Bases are MIG welded

**MATERIAL:**

- Bowls & 16 gauge stainless Steel (optional 14 Gauge)
- Top: Type 300 stainless steel with # 3 polish, satin finish
- Legs: 1 5/8" Round O.D., 16 gauge galvanized steel  
100% pre-galvanized steel - **Not Plated**
- Bracing: 1 1/4" Round O.D., 16 gauge galvanized steel  
100% pre-galvanized steel - **Not Plated**
- Gussets: Stainless Steel
- Feet: 1" adjustable galvanized bullet feet

**OPTIONAL  
ACCESSORIES**

	Qty
END SPLASHS, RIGHT , LEFT or BOTH	
14" DEEP BOWLS	
14 GAUGE	
FAUCETS	
ADD-A-FAUCETS	
PRE-RINSE UNITS	
LEVEL WASTE	
OVERSHELVES	
POT RACK	
STAINLESS STEEL FEET	

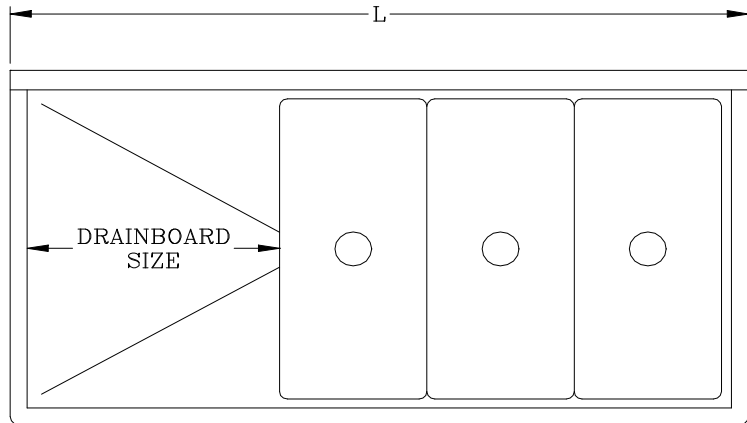
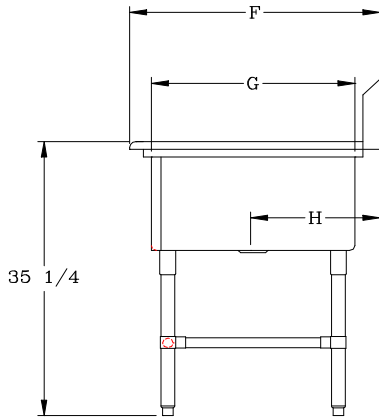
**John Boos & Co**

315 South First Street - Effingham, IL 62401  
Phone: 217-347-7701 - Fax: 217-347-7705

Email: sales@johnboos.com - Web-site: www. johnboos.com

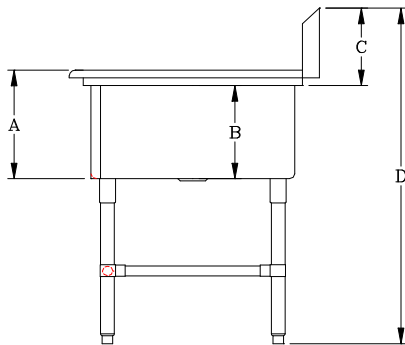
## DETAILED SPECIFICATIONS

BOWLS	F	G	H
14 X 31	36-1/2"	31	18-7/16"



STANDARD 16 GAUGE				
MODEL	BOWL SIZE	DIMENSIONS	DB	WT.
3PBPS1431-1D18	14 X 31 X 12	64-3/16" X 36-1/2"	18"	305
3PBPS1431-1D24	14 X 31 X 12	70-3/16" X 36-1/2"	24"	315
3PBPS1431-1D30	14 X 31 X 12	76-3/16" X 36-1/2"	30"	325

<b>A</b>	14"
<b>B</b>	12"
<b>C</b>	10"
<b>D</b>	43"



PREMIUM 14 GAUGE				
MODEL	BOWL SIZE	DIMENSIONS	DB	WT.
43PBPS1431-1D18	14 X 31 X 12	64-3/16" X 36-1/2"	18"	336
43PBPS1431-1D18	14 X 31 X 12	70-3/16" X 36-1/2"	24"	347
43PBPS1431-1D18	14 X 31 X 12	76-3/16" X 36-1/2"	30"	358

All dimensions are typical.

Tolerance +/- .500".

All units ship unassembled for reduced shipping cost.

### John Boos & Co

315 South First - Effingham, IL 62401 Phone: 217-347-7701 - Fax: 217-347-7705

Email: sales@johnboos.com - Web-site: www.johnboos.com



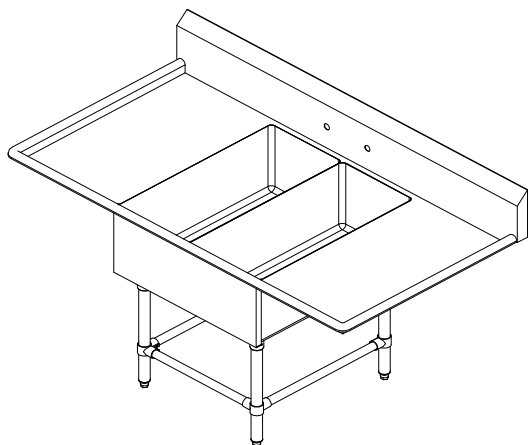
May 2002

John Boos is constantly engaged in a program of improving products and therefore reserves the right to change specification without prior notice



# "2PBPS1431-2DB" Pro-Bowl Sinks

Two Compartment Sinks w/ 2 Drainboard  
w/ Galvanized Base & Bracing



**PREMIUM:** 14 ga. 304 S/S welded Bowls  
14 ga. 304 S/S Drainboards and Splash  
10" Back Splash



**STANDARD:** 16 ga. 304 S/S welded Bowls  
16 ga. 304 S/S Drainboards and Splash  
10" Back Splash

STANDARD 16 Gauge		PREMIUM 14 Gauge	
	Qty		Qty
2PBPS1431-2D18		42PBPS1431-2D18	
2PBPS1431-2D24		42PBPS1431-2D24	
2PBPS1431-2D30		42PBPS1431-2D30	

**FEATURES:**

- \* Standard 16 Gauge (optional 14 gauge)  
Type 300 stainless steel with # 3 polish, satin finish
- \* 12" Deep Bowls (optional 14" deep bowls)
- \* All Corners, both vertical and horizontal, coved at 5/8" radius
- \* Bottoms of bowls formed for drainage to 3-1/2" diameter die stamped opening
- \* Full length **10" High Boxed Backsplash**, with 2" return to wall at 45 degree and 3/4" turned down rear lip
- \* 1-1/2" Faucet Holes in Backsplash
- \* Solid Stainless Steel front panel, type 300 stainless steel with # 3 polish, satin finish
- \* All outside corners of assembly are Bullnosed to provide safe, clean and polished edge
- \* Standard legs 1-5/8" diameter, 16 gauge galvanized steel 100% pre-galvanized steel - **Not Plated** (optional stainless steel)
- \* Legs located directly under sink bowls, providing increased stability and maximum weight support

**Bowl Sizes:**

14" X 31"

**CONSTRUCTION:**

Top: Stainless Steel Sinks are TIG welded, Exposed welds are polished to match adjacent surface.

Bases: Galvanized Bases are MIG welded

**MATERIAL:**

- Bowls & 16 gauge stainless Steel (optional 14 Gauge)
- Top: Type 300 stainless steel with # 3 polish, satin finish
- Legs: 1 5/8" Round O.D., 16 gauge galvanized steel  
100% pre-galvanized steel - **Not Plated**
- Bracing: 1 1/4" Round O.D., 16 gauge galvanized steel  
100% pre-galvanized steel - **Not Plated**
- Gussets: Stainless Steel
- Feet: 1" adjustable galvanized bullet feet

**OPTIONAL ACCESSORIES**

	Qty
END SPLASHS, RIGHT , LEFT or BOTH	
14" DEEP BOWLS	
14 GAUGE	
FAUCETS	
ADD-A-FAUCETS	
PRE-RINSE UNITS	
LEVEL WASTE	
OVERSHELVES	
POT RACK	
STAINLESS STEEL FEET	

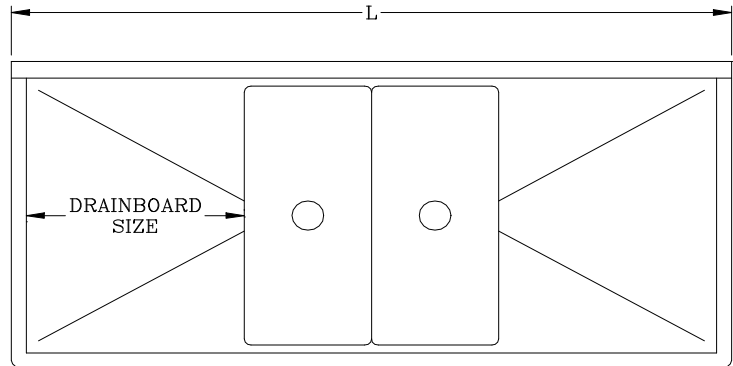
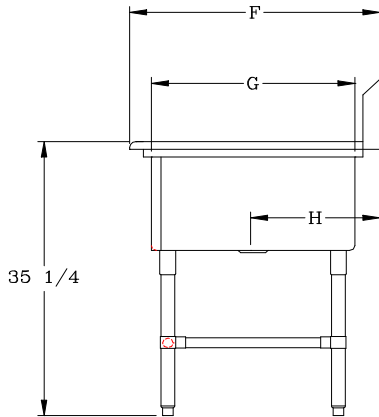
**John Boos & Co**

315 South First Street - Effingham, IL 62401  
Phone: 217-347-7701 - Fax: 217-347-7705

Email: sales@johnboos.com - Web-site: www. johnboos.com

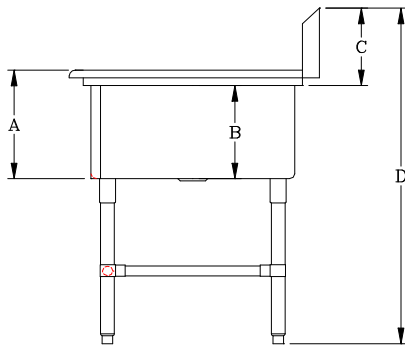
## DETAILED SPECIFICATIONS

BOWLS	F	G	H
14 X 31	36-1/2"	31"	18-7/16"



STANDARD 16 GAUGE				
MODEL	BOWL SIZE	DIMENSIONS	DB	WT.
2PBPS1431-2D18	14 X 31 X 12	67-1/4" X 36-1/2"	18"	270
2PBPS1431-2D24	14 X 31 X 12	79-1/4" X 36-1/2"	24"	300
2PBPS1431-2D30	14 X 31 X 12	91-1/4" X 36-1/2"	30"	335

<b>A</b>	14"
<b>B</b>	12"
<b>C</b>	10"
<b>D</b>	43"



PREMIUM 14 GAUGE				
MODEL	BOWL SIZE	DIMENSIONS	DB	WT.
42PBPS1431-1D18	14 X 31 X 12	67-1/4" X 36-1/2"	18"	297
42PBPS1431-1D18	14 X 31 X 12	79-1/4" X 36-1/2"	24"	330
42PBPS1431-1D18	14 X 31 X 12	91-1/4" X 36-1/2"	30"	369

All dimensions are typical.

Tolerance +/- .500".

All units ship unassembled for reduced shipping cost.

### John Boos & Co

315 South First - Effingham, IL 62401 Phone: 217-347-7701 - Fax: 217-347-7705

Email: sales@johnboos.com - Web-site: www.johnboos.com



May 2002

John Boos is constantly engaged in a program of improving products and therefore reserves the right to change specification without prior notice