



# "3PB" Pro-Bowl Sinks - 16 Gauge

Three Compartment Sinks  
w/ Stainless Steel Base & Bracing



AUTOQUOTES



STANDARD: 16 ga. 300 S/S Welded Bowls  
16 ga. 300 S/S Deck and Splash  
10" Back Splash  
12" or 14" Deep Bowls

16 Gauge 12" Deep		Qty	16 Gauge 14" Deep		Qty
3PB1618			3PB16184		
3PB18			3PB184		
3PB1824			3PB18244		
3PB24			3PB244		
3PB3024			3PB30244		

## FEATURES:

- \* Standard 16 Gauge  
Type 300 stainless steel with # 4 polish, satin finish
- \* 12" & 14" Deep Bowls
- \* All Corners, both vertical and horizontal, covered at 5/8" radius
- \* Bottoms of bowls formed for drainage to 3-1/2" diameter die stamped opening
- \* Full length **10" High Boxed Backsplash**, with 2" return to wall at 45 degree and 3/4" turned down rear lip
- \* 1-1/8" Faucet Holes in Backsplash
- \* Solid Stainless Steel front panel, type 300 stainless steel with # 4 polish, satin finish
- \* All outside corners of assembly are Bullnosed to provide safe, clean and polished edge
- \* Standard legs 1-5/8" diameter, 16 gauge stainless steel
- \* Legs located directly under sink bowls, providing increased stability and maximum weight support

## Bowl Sizes:

16" X 18"	18" X 24"
16" X 20"	24" X 24"
18" X 18"	30" X 24"

## CONSTRUCTION:

- Top: Stainless Steel Sinks are TIG welded, Exposed welds are polished to match adjacent surface.
- Bases: Stainless Steel Bases, Standard K.D.

## OPTIONAL ACCESSORIES

	Qty
END SPLASHS, RIGHT , LEFT or BOTH	
FAUCETS	
ADD-A-FAUCETS	
PRE-RINSE UNITS	
LEVEL WASTE	
OVERSHELVES	
POT RACK	

## MATERIAL:

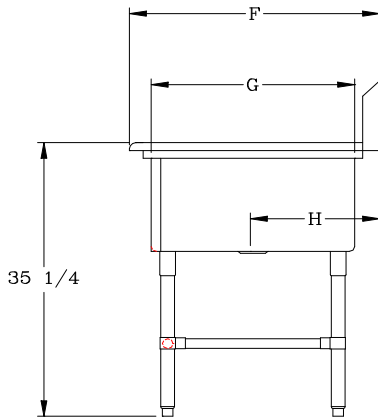
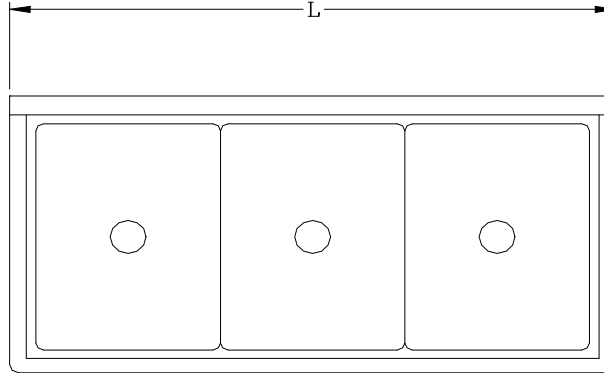
- Bowls & 16 gauge Stainless Steel
- Top: Type 300 stainless steel with # 4 polish, satin finish
- Legs: 1 5/8" Round O.D., 16 gauge stainless steel
- Bracing: 1 1/4" Round O.D., 16 gauge stainless steel
- Gussets: Stainless Steel
- Feet: 1" adjustable stainless steel bullet feet

## John Boos & Co

3601 S. Banker Street - Effingham, IL 62401  
Phone: 217-347-7701 - Fax: 217-347-7705  
Email: sales@johnboos.com - Web-site: www. johnboos.com

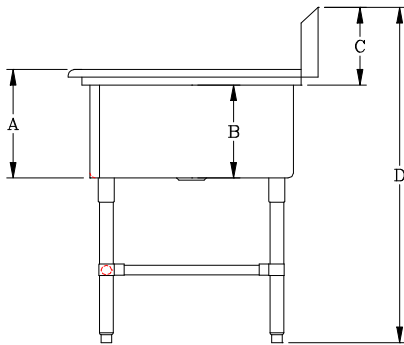
## DETAILED SPECIFICATIONS

BOWLS	F	G	H
16 X 18	23-1/2"	18"	11-15/16"
16 X 20	25-1/2"	20"	12-15/16"
18 X 18	23-1/2"	18"	11-15/16"
18 X 24	29-1/2"	24"	14-15/16"
24 X 24	29-1/2"	24"	14-15/16"
30 X 24	29-1/2"	24"	14-15/16"



16 GAUGE * 12" DEEP				
MODEL	BOWL SIZE	DIMENSIONS	DB	WT.
3PB1618	16 X 18 X 12	53-1/8" X 23-1/2"	-	275
3PB18	18 X 18 X 12	59-1/8" X 23-1/2"	-	295
3PB1824	18 X 24 X 12	59-1/8" X 29-1/2"	-	340
3PB24	24 X 24 X 12	77-1/8" X 29-1/2"	-	385
3PB3024	30 X 24 X 12	95-1/8" X 29-1/2"	-	455

	12" Deep	14" Deep
<b>A</b>	14"	16"
<b>B</b>	12"	14"
<b>C</b>	10"	10"
<b>D</b>	43"	43"



16 GAUGE * 14" DEEP				
MODEL	BOWL SIZE	DIMENSIONS	DB	WT.
3PB16184	16 X 18 X 14	53-1/8" X 23-1/2"	-	278
3PB18244	18 X 18 X 14	59-1/8" X 23-1/2"	-	298
3PB18244	18 X 24 X 14	59-1/8" X 29-1/2"	-	343
3PB244	24 X 24 X 14	77-1/8" X 29-1/2"	-	388
3PB30244	30 X 24 X 14	95-1/8" X 29-1/2"	-	458

All dimensions are typical.

Tolerance +/- .500".

All units ship unassembled for reduced shipping cost.

### John Boos & Co

3601 S. Banker Str - Effingham, IL 62401 Phone: 217-347-7701 - Fax: 217-347-7705

Email: sales@johnboos.com - Web-site: www.johnboos.com



July 2013

John Boos is constantly engaged in a program of improving products and therefore reserves the right to change specification without prior notice