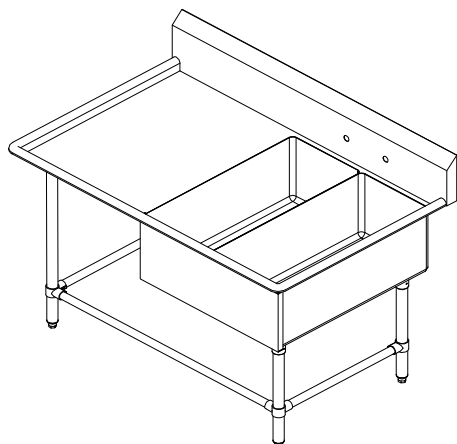




"2PBPS1431-1DB" Pro-Bowl Sinks

Two Compartment Sinks w/ 1 Drainboard
w/ Galvanized Base & Bracing



PREMIUM: 14 ga. 304 S/S welded Bowls
14 ga. 304 S/S Drainboard and Splash
10" Back Splash



STANDARD: 16 ga. 304 S/S welded Bowls
16 ga. 304 S/S Drainboard and Splash
10" Back Splash

STANDARD 16 Gauge		PREMIUM 14 Gauge	
	Qty		Qty
2PBPS1431-1D18		42PBPS1431-1D18	
2PBPS1431-1D24		42PBPS1431-1D24	
2PBPS1431-1D30		42PBPS1431-1D30	

FEATURES:

- * Standard 16 Gauge (optional 14 gauge)
Type 300 stainless steel with # 3 polish, satin finish
- * 12" Deep Bowls (optional 14" deep bowls)
- * All Corners, both vertical and horizontal, coved at 5/8" radius
- * Bottoms of bowls formed for drainage to 3-1/2" diameter die stamped opening
- * Full length **10" High Boxed Backsplash**, with 2" return to wall at 45 degree and 3/4" turned down rear lip
- * 1-1/2" Faucet Holes in Backsplash
- * Solid Stainless Steel front panel, type 300 stainless steel with # 3 polish, satin finish
- * All outside corners of assembly are Bullnosed to provide safe, clean and polished edge
- * Standard legs 1-5/8" diameter, 16 gauge galvanized steel 100% pre-galvanized steel - **Not Plated** (optional stainless steel)
- * Legs located directly under sink bowls, providing increased stability and maximum weight support

**Must specify Left or Right
Drainboards**

Bowl Sizes:

14" X 31"

CONSTRUCTION:

Top: Stainless Steel Sinks are TIG welded, Exposed welds are polished to match adjacent surface.

Bases: Galvanized Bases are MIG welded

MATERIAL:

Bowls & 16 gauge stainless Steel (optional 14 Gauge)
Top: Type 300 stainless steel with # 3 polish, satin finish
Legs: 1 5/8" Round O.D., 16 gauge galvanized steel
100% pre-galvanized steel - **Not Plated**
Bracing: 1 1/4" Round O.D., 16 gauge galvanized steel
100% pre-galvanized steel - **Not Plated**
Gussets: Stainless Steel
Feet: 1" adjustable galvanized bullet feet

OPTIONAL ACCESSORIES

	Qty
END SPLASHS, RIGHT , LEFT or BOTH	
14" DEEP BOWLS	
14 GAUGE	
FAUCETS	
ADD-A-FAUCETS	
PRE-RINSE UNITS	
LEVEL WASTE	
OVERSHELVES	
POT RACK	
STAINLESS STEEL FEET	

John Boos & Co

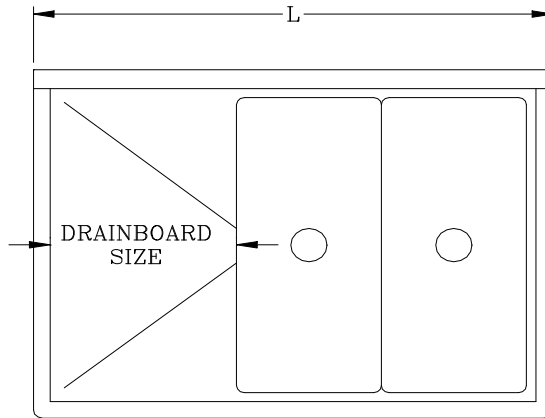
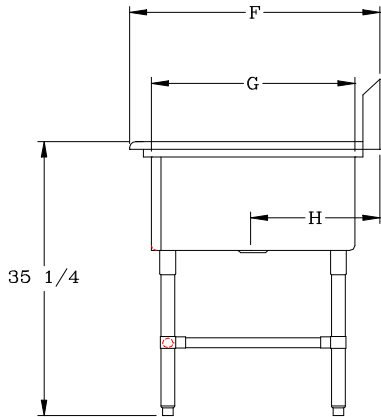
315 South First Street - Effingham, IL 62401

Phone: 217-347-7701 - Fax: 217-347-7705

Email: sales@johnboos.com - Web-site: www. johnboos.com

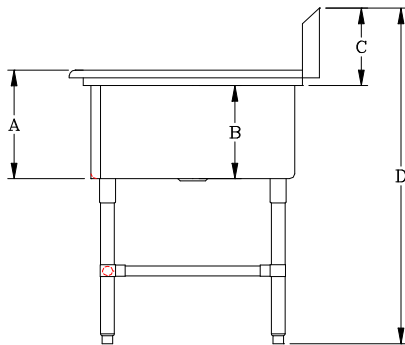
DETAILED SPECIFICATIONS

BOWLS	F	G	H
14 X 31	36-1/2"	31"	18-7/16"



STANDARD 16 GAUGE				
MODEL	BOWL SIZE	DIMENSIONS	DB	WT.
2PBPS1431-1D18	14 X 31 X 12	50-3/16" X 36-1/2"	18"	245
2PBPS1431-1D24	14 X 31 X 12	56-3/16" X 36-1/2"	24"	250
2PBPS1431-1D30	14 X 31 X 12	62-3/16" X 36-1/2"	30"	260

A	14"
B	12"
C	10"
D	43"



PREMIUM 14 GAUGE				
MODEL	BOWL SIZE	DIMENSIONS	DB	WT.
42PBPS1431-1D18	14 X 31 X 12	50-3/16" X 36-1/2"	18"	270
42PBPS1431-1D18	14 X 31 X 12	56-3/16" X 36-1/2"	24"	275
42PBPS1431-1D18	14 X 31 X 12	62-3/16" X 36-1/2"	30"	286

All dimensions are typical.

Tolerance +/- .500".

All units ship unassembled for reduced shipping cost.

John Boos & Co

315 South First - Effingham, IL 62401 Phone: 217-347-7701 - Fax: 217-347-7705

Email: sales@johnboos.com - Web-site: www.johnboos.com



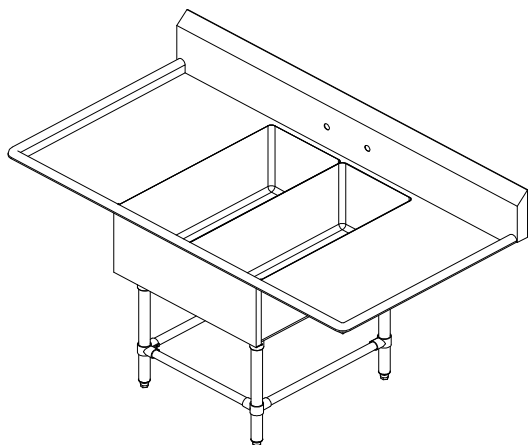
May 2002

John Boos is constantly engaged in a program of improving products and therefore reserves the right to change specification without prior notice



"2PBPS1431-2DB" Pro-Bowl Sinks

Two Compartment Sinks w/ 2 Drainboard
w/ Galvanized Base & Bracing



PREMIUM: 14 ga. 304 S/S welded Bowls
14 ga. 304 S/S Drainboards and Splash
10" Back Splash



STANDARD: 16 ga. 304 S/S welded Bowls
16 ga. 304 S/S Drainboards and Splash
10" Back Splash

STANDARD 16 Gauge		PREMIUM 14 Gauge	
	Qty		Qty
2PBPS1431-2D18		42PBPS1431-2D18	
2PBPS1431-2D24		42PBPS1431-2D24	
2PBPS1431-2D30		42PBPS1431-2D30	

FEATURES:

- * Standard 16 Gauge (optional 14 gauge)
Type 300 stainless steel with # 3 polish, satin finish
- * 12" Deep Bowls (optional 14" deep bowls)
- * All Corners, both vertical and horizontal, coved at 5/8" radius
- * Bottoms of bowls formed for drainage to 3-1/2" diameter die stamped opening
- * Full length **10" High Boxed Backsplash**, with 2" return to wall at 45 degree and 3/4" turned down rear lip
- * 1-1/2" Faucet Holes in Backsplash
- * Solid Stainless Steel front panel, type 300 stainless steel with # 3 polish, satin finish
- * All outside corners of assembly are Bullnosed to provide safe, clean and polished edge
- * Standard legs 1-5/8" diameter, 16 gauge galvanized steel 100% pre-galvanized steel - **Not Plated** (optional stainless steel)
- * Legs located directly under sink bowls, providing increased stability and maximum weight support

Bowl Sizes:

14" X 31"

CONSTRUCTION:

Top: Stainless Steel Sinks are TIG welded, Exposed welds are polished to match adjacent surface.

Bases: Galvanized Bases are MIG welded

MATERIAL:

- Bowls & 16 gauge stainless Steel (optional 14 Gauge)
- Top: Type 300 stainless steel with # 3 polish, satin finish
- Legs: 1 5/8" Round O.D., 16 gauge galvanized steel
100% pre-galvanized steel - **Not Plated**
- Bracing: 1 1/4" Round O.D., 16 gauge galvanized steel
100% pre-galvanized steel - **Not Plated**
- Gussets: Stainless Steel
- Feet: 1" adjustable galvanized bullet feet

OPTIONAL ACCESSORIES

	Qty
END SPLASHS, RIGHT , LEFT or BOTH	
14" DEEP BOWLS	
14 GAUGE	
FAUCETS	
ADD-A-FAUCETS	
PRE-RINSE UNITS	
LEVEL WASTE	
OVERSHELVES	
POT RACK	
STAINLESS STEEL FEET	

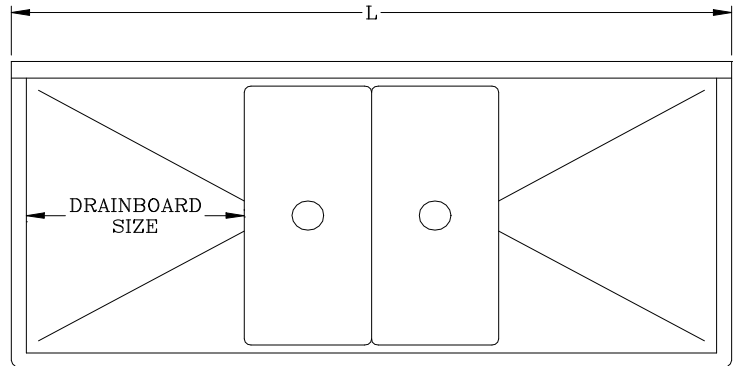
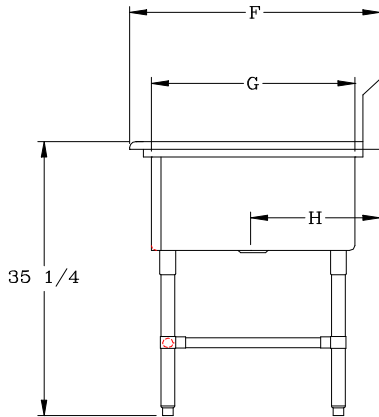
John Boos & Co

315 South First Street - Effingham, IL 62401
Phone: 217-347-7701 - Fax: 217-347-7705

Email: sales@johnboos.com - Web-site: www. johnboos.com

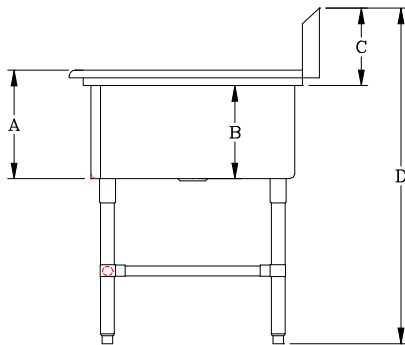
DETAILED SPECIFICATIONS

BOWLS	F	G	H
14 X 31	36-1/2"	31"	18-7/16"



STANDARD 16 GAUGE				
MODEL	BOWL SIZE	DIMENSIONS	DB	WT.
2PBPS1431-2D18	14 X 31 X 12	67-1/4" X 36-1/2"	18"	270
2PBPS1431-2D24	14 X 31 X 12	79-1/4" X 36-1/2"	24"	300
2PBPS1431-2D30	14 X 31 X 12	91-1/4" X 36-1/2"	30"	335

A	14"
B	12"
C	10"
D	43"



PREMIUM 14 GAUGE				
MODEL	BOWL SIZE	DIMENSIONS	DB	WT.
42PBPS1431-1D18	14 X 31 X 12	67-1/4" X 36-1/2"	18"	297
42PBPS1431-1D18	14 X 31 X 12	79-1/4" X 36-1/2"	24"	330
42PBPS1431-1D18	14 X 31 X 12	91-1/4" X 36-1/2"	30"	369

All dimensions are typical.

Tolerance +/- .500".

All units ship unassembled for reduced shipping cost.

John Boos & Co

315 South First - Effingham, IL 62401 Phone: 217-347-7701 - Fax: 217-347-7705

Email: sales@johnboos.com - Web-site: www.johnboos.com



May 2002

John Boos is constantly engaged in a program of improving products and therefore reserves the right to change specification without prior notice