



"2PB" Pro-Bowl Sinks - 16 Gauge

Two Compartment Sinks
w/ Stainless Steel Base & Bracing

AUTOQUOTES



STANDARD: 16 ga. 300 S/S Welded Bowls
16 ga. 300 S/S Deck and Splash
10" Back Splash
12" or 14" Deep Bowls

16 Gauge 12" Deep		Qty	16 Gauge 14" Deep		Qty
2PB1618			2PB16184		
2PB18			2PB184		
2PB1824			2PB18244		
2PB24			2PB244		
2PB3024			2PB30244		

FEATURES:

- * Standard 16 Gauge
Type 300 stainless steel with # 4 polish, satin finish
- * 12" & 14" Deep Bowls
- * All Corners, both vertical and horizontal, covered at 5/8" radius
- * Bottoms of bowls formed for drainage to 3-1/2" diameter die stamped opening
- * Full length **10" High Boxed Backsplash**, with 2" return to wall at 45 degree and 3/4" turned down rear lip
- * 1-1/8" Faucet Holes in Backsplash
- * Solid Stainless Steel front panel, type 300 stainless steel with # 4 polish, satin finish
- * All outside corners of assembly are Bullnosed to provide safe, clean and polished edge
- * Standard legs 1-5/8" diameter, 16 gauge stainless steel
- * Legs located directly under sink bowls, providing increased stability and maximum weight support

Bowl Sizes:

16" X 18"	18" X 24"
16" X 20"	24" X 24"
18" X 18"	30" X 24"

CONSTRUCTION:

Top: Stainless Steel Sinks are TIG welded, Exposed welds are polished to match adjacent surface.
Bases: Stainless Steel Bases, Standard K.D.

OPTIONAL ACCESSORIES

MATERIAL:

Bowls & 16 gauge Stainless Steel
Top: Type 300 stainless steel with # 4 polish, satin finish
Legs: 1 5/8" Round O.D., 16 gauge stainless steel
Bracing: 1 1/4" Round O.D., 16 gauge stainless steel
Gussets: Stainless Steel
Feet: 1" adjustable stainless steel bullet feet

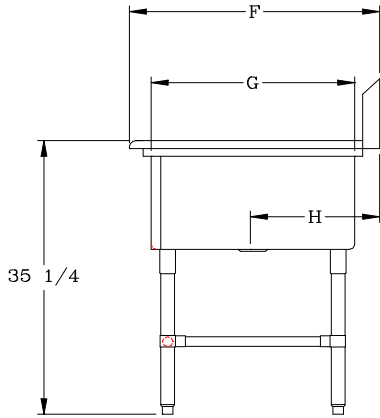
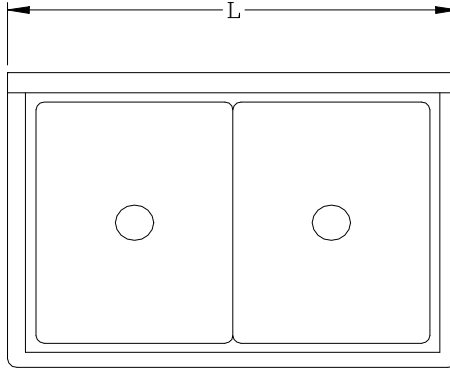
	Qty
END SPLASHS, RIGHT , LEFT or BOTH	
FAUCETS	
ADD-A-FAUCETS	
PRE-RINSE UNITS	
LEVEL WASTE	
OVERSHELVES	
POT RACK	

John Boos & Co

3601 S. Banker Street - Effingham, IL 62401
Phone: 217-347-7701 - Fax: 217-347-7705
Email: sales@johnboos.com - Web-site: www. johnboos.com

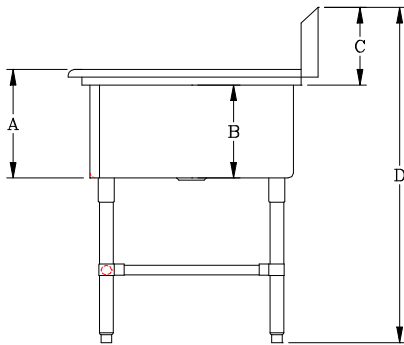
DETAILED SPECIFICATIONS

BOWLS	F	G	H
16 X 18	23-1/2"	18"	11-15/16"
16 X 20	25-1/2"	20"	12-15/16"
18 X 18	23-1/2"	18"	11-15/16"
18 X 24	29-1/2"	24"	14-15/16"
24 X 24	29-1/2"	24"	14-15/16"
30 X 24	29-1/2"	24"	14-15/16"



16 GAUGE * 12" DEEP				
MODEL	BOWL SIZE	DIMENSIONS	DB	WT.
2PB1618	16 X 18 X 12	37-1/8" X 23-1/2"	-	220
2PB18	18 X 18 X 12	41-1/8" X 23-1/2"	-	235
2PB1824	18 X 24 X 12	41-1/8" X 29-1/2"	-	260
2PB24	24 X 24 X 12	53-1/8" X 29-1/2"	-	300
2PB3024	30 X 24 X 12	65-1/8" X 29-1/2"	-	340

	12" Deep	14" Deep
A	14"	16"
B	12"	14"
C	10"	10"
D	43"	43"



16 GAUGE * 14" DEEP				
MODEL	BOWL SIZE	DIMENSIONS	DB	WT.
2PB16184	16 X 18 X 14	37-1/8" X 23-1/2"	-	226
2PB18244	18 X 18 X 14	41-1/8" X 23-1/2"	-	241
2PB18244	18 X 24 X 14	41-1/8" X 29-1/2"	-	266
2PB244	24 X 24 X 14	53-1/8" X 29-1/2"	-	306
2PB30244	30 X 24 X 14	65-1/8" X 29-1/2"	-	346

All dimensions are typical.
 Tolerance +/- .500".
 All units ship unassembled for reduced shipping cost.

John Boos & Co

3601 S. Banker Str - Effingham, IL 62401 Phone: 217-347-7701 - Fax: 217-347-7705
 Email: sales@johnboos.com - Web-site: www.johnboos.com



July 2013

John Boos is constantly engaged in a program of improving products and therefore reserves the right to change specification without prior notice