



**John
BOOS**
Since 1887

ITEM #: _____ QTY: _____
 MODEL #: _____
 PROJECT NAME: _____

010719

3601 S. Banker St. Effingham, IL 62401 • P.O. BOX 609 • Ph: (888) 431-2667 • Fax: (800) 433-2667

"1PB" PRO-BOWL COMPARTMENT SINKS 16GA



1 COMPARTMENT - STAINLESS STEEL BASE

FEATURES:

- STANDARD 16GA TYPE 300 STAINLESS STEEL WITH #4 POLISH, SATIN FINISH
- 12" & 14" DEEP BOWLS
- ALL CORNERS, BOTH VERTICAL AND HORIZONTAL, COVED AT 5/8" RADIUS
- BOTTOMS OF BOWLS FORMED FOR DRAINAGE TO 3-1/2" DIAMETER DIE STAMPED OPENING
- FULL LENGTH **10" HIGH BOXED BACKSPASH**, WITH 2" RETURN TO WALL AT 45 DEGREE AND 3/4" TURNED DOWN REAR LIP
- 8" ON-CENTER, 1" FAUCET HOLES IN BACKSPASH
- SOLID STAINLESS STEEL FRONT PANEL, TYPE 300 STAINLESS STEEL WITH #4 POLISH, SATIN FINISH
- ALL OUTSIDE CORNERS OF ASSEMBLY ARE BULLNOSED TO PROVIDE SAFE, CLEAN, AND POLISHED EDGE



CONSTRUCTION:

- TOP: STAINLESS STEEL SINKS ARE TIG WELDED, EXPOSED WELDS ARE POLISHED TO MATCH ADJACENT SURFACE
- BASE: STAINLESS STEEL BASES, STANDARD K.D.

MATERIAL:

- BOWLS & TOP: 16GA TYPE 300 STAINLESS STEEL WITH #4 POLISH, SATIN FINISH
- LEGS: 16GA 1-5/8" ROUND O.D. STAINLESS STEEL
- BRACING: 1-1/4" ROUND O.D. STAINLESS STEEL
- GUSSETS: STAINLESS STEEL
- FEET: 1" ADJUSTABLE STAINLESS STEEL BULLET FEET

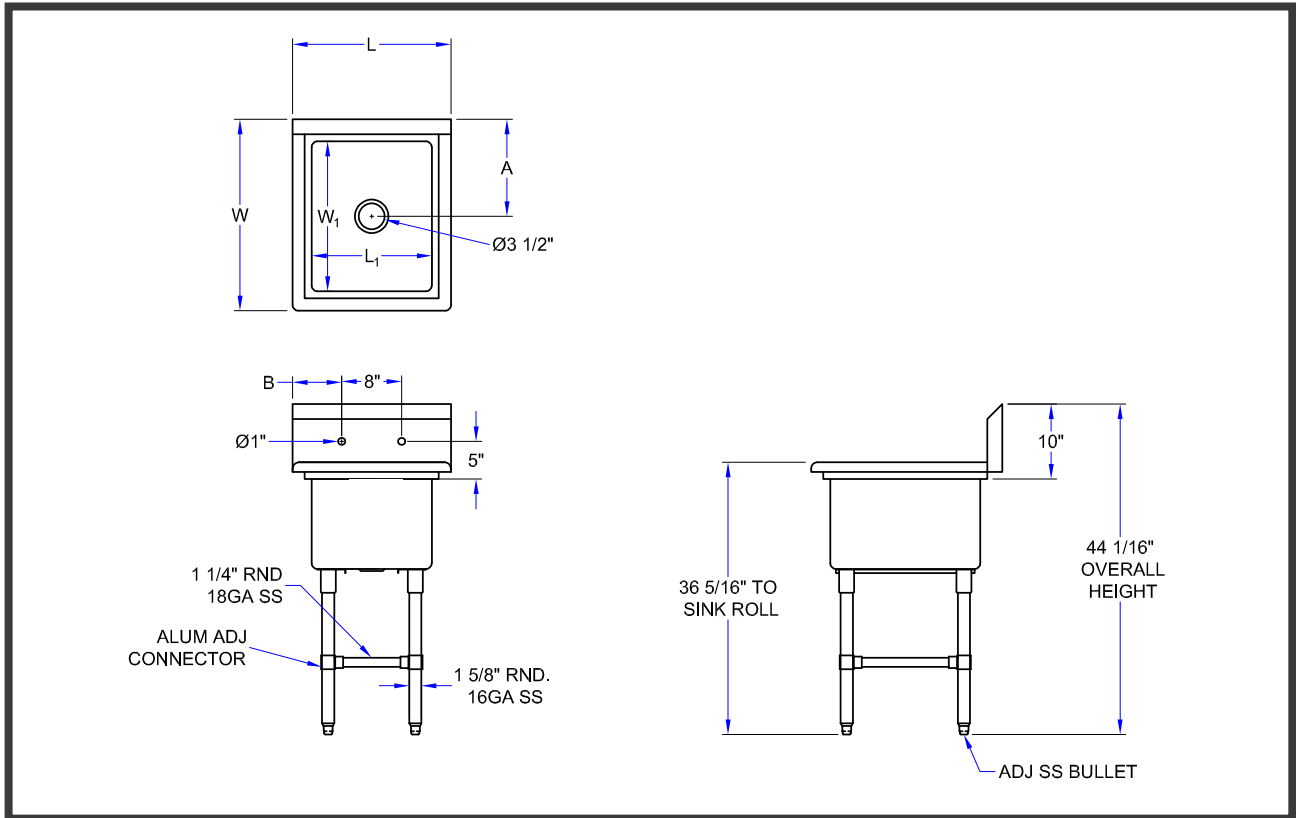
OPTIONAL ACCESSORIES

DESCRIPTION	QTY
END SPLASHES, R, L, OR BOTH	
FAUCETS	
ADD-A-FAUCETS	
PRE-RINSE UNITS	
LEVER WASTE	
OVERSHELVES	
POT RACK	

16GA - "V" PRO-BOWL SERIES SINK

12" DEEP	QTY	14" DEEP	QTY
1PB1620		1PB16204	
1PB18		1PB184	
1PB1824		1PB18244	
1PB20		1PB204	
1PB24		1PB244	
1PB3024		1PB30244	

DETAILED SPECIFICATIONS



16GA - "1PB" PRO-BOWL SERIES SINK

12" DEEP	14" DEEP	L	W	L ₁	W ₁	A	B
1PB1620	1PB16204	21-1/8"	25-1/2"	16"	20"	12-15/16"	6-9/16"
1PB18	1PB184	23-1/8"	23-1/2"	18"	18"	11-15/16"	7-9/16"
1PB1824	1PB18244	23-1/8"	29-1/2"	18"	24"	14-15/16"	7-9/16"
1PB20	1PB204	25-1/8"	25-1/2"	20"	20"	12-15/16"	8-9/16"
1PB24	1PB244	29-1/8"	29-1/2"	24"	24"	14-15/16"	10-9/16"
1PB3024	1PB30244	35-1/8"	29-1/2"	30"	24"	14-15/16"	13-9/16"

SOME UNITS SHIP UNASSEMBLED FOR REDUCED SHIPPING COST. ALL DIMENSIONS ARE TYPICAL. TOLERANCE +/- .500"

John Boos & Co. is constantly engaged in a program of improving products and therefore reserves the right to change specifications without prior notice.

