



**John  
BOOS**  
Since 1887

ITEM #: \_\_\_\_\_ QTY: \_\_\_\_\_  
 MODEL #: \_\_\_\_\_  
 PROJECT NAME: \_\_\_\_\_

3601 S. Banker St. Effingham, IL 62401 • P.O. BOX 609 • Ph: (888) 431-2667 • Fax: (800) 433-2667

## **"170-3" STAINLESS STEEL ENCLOSED WORK TABLES**

**OPEN BASE STYLE WITH 3/4" THICK HIGH DENSITY POLYETHYLENE TOP AND 5" REAR RISER**



### **FEATURES:**

- 3/4" THICK HIGH DENSITY POLYETHYLENE TOP WITH 5" REAR RISER
- OPEN BASE STYLE
- TOP IS SOUND DEADENED
- REINFORCED WITH 1"X2" CHANNEL RUNNING ENTIRE LENGTH OF TABLE
- 1-1/2" STALLION EDGE ON FRONT AND REAR WITH SIDE EDGES 90 DEGREE BEND DOWN FOR TABLE LINE-UP
- STAINLESS STEEL CABINET AND UNDERSHELF
- UNDERSHELF IS SECURED IN A FIXED POSITION, 14-7/8" ABOVE FLOOR
- ADJUSTABLE BULLET FEET
- SHIPPED STANDARD WELDED SET-UP
- NSF AND DEPT. OF AGRICULTURE APPROVED

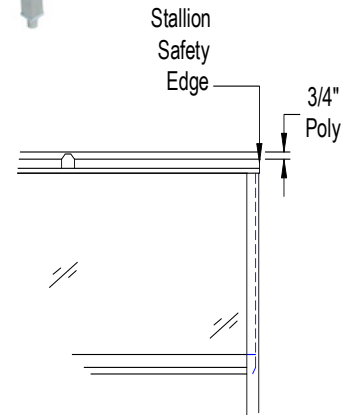


### **CONSTRUCTION:**

- TOP: STAINLESS STEEL TOPS ARE TIG WELDED, EXPOSED WELDS ARE POLISHED TO MATCH ADJACENT SURFACE.

### **MATERIAL:**

- POLY: 3/4" HIGH DENSITY POLYETHYLENE
- TOP: 16 GAUGE STAINLESS STEEL TYPE 300 STAINLESS STEEL WITH #4 POLISH, SATIN FINISH
- SHELF: 18 GAUGE TYPE 300 STAINLESS STEEL, #4 POLISH WITH SATIN FINISH
- LEGS: 1-1/2" SQUARE O.D., 16 GAUGE TUBULAR STAINLESS STEEL
- PANELS: 22 GAUGE TYPE 300 STAINLESS STEEL, #4 POLISH WITH SATIN FINISH
- FEET: 1" ADJUSTABLE STAINLESS STEEL BULLET FEET



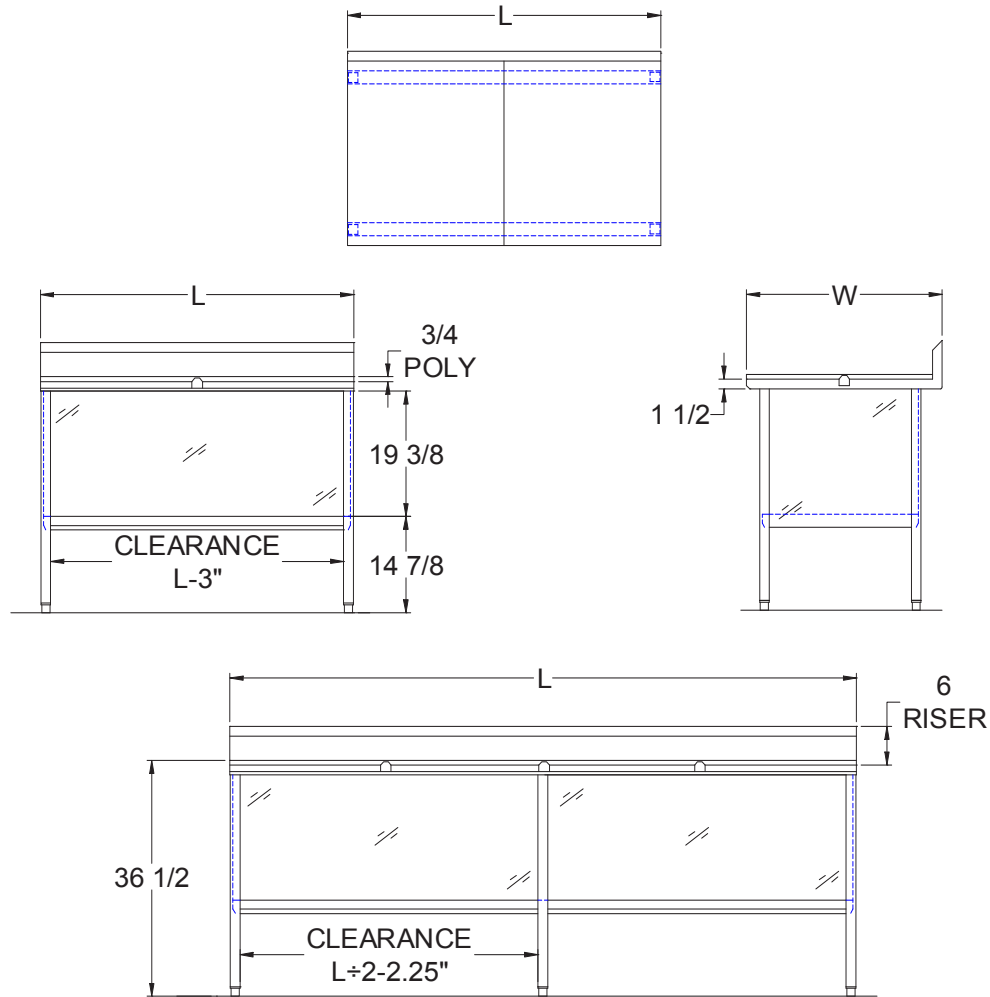
### **3/4" HIGH DENSITY POLYETHYLENE**

30" WIDE	QTY
170-26	
170-27	
170-28	
170-28A	
170-29	
170-29A	
170-30	

### **OPTIONAL ACCESSORIES**

DESCRIPTION	MODEL #	QTY
CASTERS		
INTERMEDIATE SHELVES		
S/S BUN PAN RACK		

## DETAILED SPECIFICATIONS



- UNITS 7 FT. AND LARGER ARE FURNISHED WITH SIX LEGS.
- FINISHED SIZE OF UNDERSHELF.  
 SHELF LENGTH = LENGTH MINUS 4.875"  
 SHELF WIDTH = WIDTH MINUS 4.25"

### 3/4" HIGH DENSITY POLYETHYLENE

LENGTH	30" WIDE	WT. (LBS)
48"	170-26	220
60"	170-27	258
72"	170-28	284
84"	170-28A	331
96"	170-29	378
108"	170-29A	416
120"	170-30	454

SOME UNITS SHIP UNASSEMBLED FOR REDUCED SHIPPING COST. ALL DIMENSIONS ARE TYPICAL. TOLERANCE +/- .500"  
 John Boos & Co. is constantly engaged in a program of improving products and therefore reserves the right to change specifications without prior notice.



3601 S. Banker St. • Effingham, IL 62401 • PO BOX 609 • quotes@johnboos.com

**Boos**  
lock

**AQ** AutoQuotes

[www.johnboos.com](http://www.johnboos.com)