



**John
BOOS**
Since 1887

ITEM #: _____ QTY: _____
 MODEL #: _____
 PROJECT NAME: _____

3601 S. Banker St. Effingham, IL 62401 • P.O. BOX 609 • Ph: (888) 431-2667 • Fax: (800) 433-2667

"140-3" STAINLESS STEEL ENCLOSED WORK TABLES



OPEN BASE STYLE WITH 5" REAR RISER

FEATURES:

- 14 GAUGE STAINLESS STEEL TOP WITH 5" RISER
- OPEN BASE STYLES
- TYPE 300 STAINLESS STEEL WITH # 4 POLISH, SATIN FINISH
- TOP IS SOUND DEADENED
- REINFORCED WITH 1"X2" CHANNEL RUNNING ENTIRE LENGTH OF TABLE
- 1-1/2" STALLION EDGE ON FRONT AND REAR WITH SIDE EDGES 90 DEGREE BEND DOWN FOR TABLE LINE-UP
- STAINLESS STEEL BASE AND UNDERSHELF
- UNDERSHELF IS SECURED IN A FIXED POSITION, 14-7/8" ABOVE FLOOR
- SHIPPED STANDARD WELDED SET-UP
- NSF AND DEPT. OF AGRICULTURE APPROVED



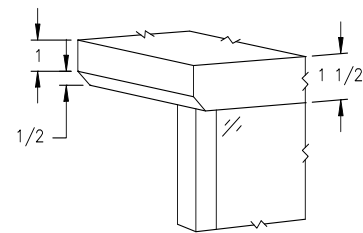
STALLION EDGE

CONSTRUCTION:

- TOP: STAINLESS STEEL TOPS ARE TIG WELDED, EXPOSED WELDS ARE POLISHED TO MATCH ADJACENT SURFACE.

MATERIAL:

- TOP: 14 GAUGE STAINLESS STEEL TYPE 300 STAINLESS STEEL WITH #4 POLISH, SATIN FINISH
- SHELF: 18 GAUGE TYPE 300 STAINLESS STEEL, #4 POLISH WITH SATIN FINISH
- LEGS: 1-1/2" SQUARE O.D., 16 GAUGE TUBULAR STAINLESS STEEL
- PANELS: 22 GAUGE TYPE 300 STAINLESS STEEL, #4 POLISH WITH SATIN FINISH
- FEET: 1" ADJUSTABLE STAINLESS STEEL BULLET FEET



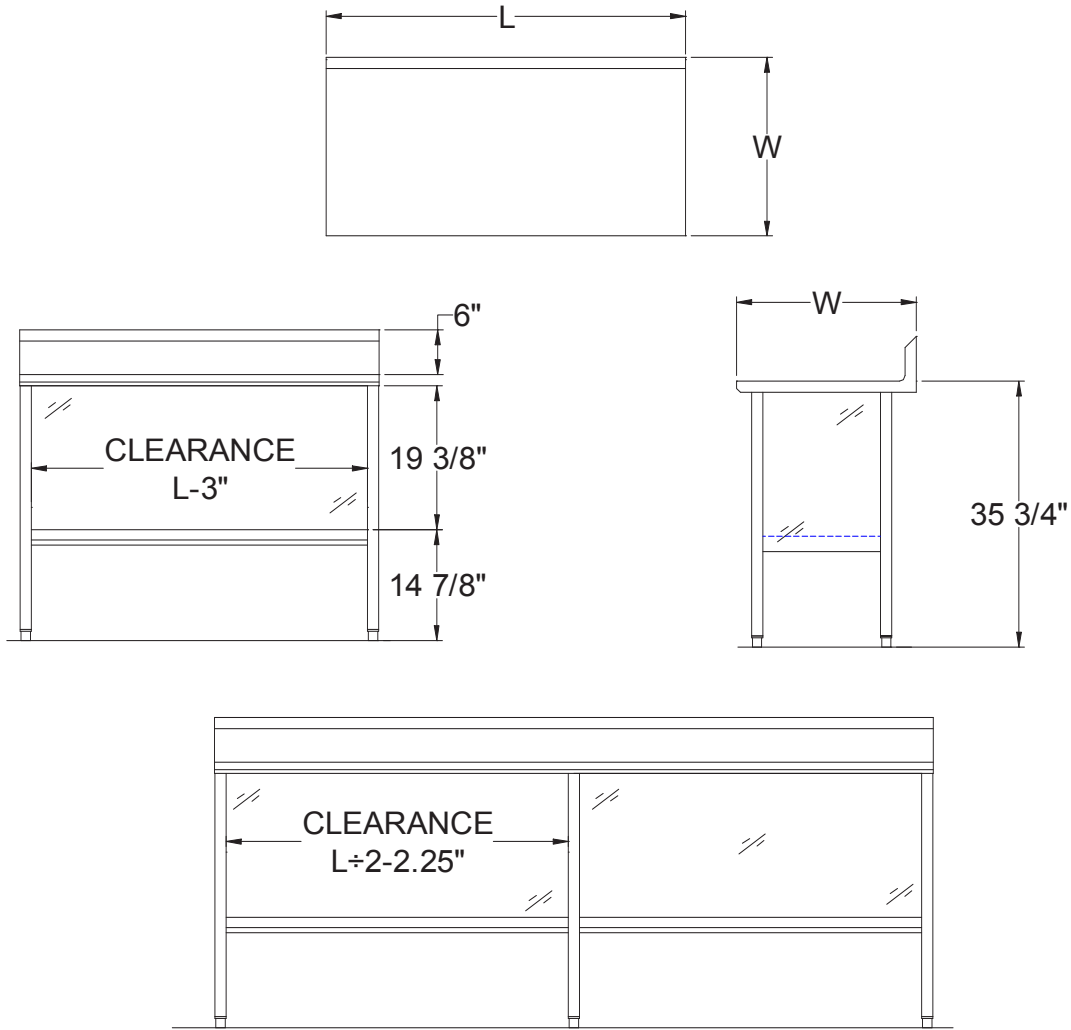
14 GAUGE TOP

24" WIDE	QTY	30" WIDE	QTY
140-21		140-26	
140-22		140-27	
140-23		140-28	
140-23A		140-28A	
140-24		140-29	
140-24A		140-29A	
140-25		140-30	

OPTIONAL ACCESSORIES

DESCRIPTION	MODEL #	QTY
CASTERS		
OVERSHELVES		
POT RACK		
SINKS		
INTERMEDIATE SHELVES		
S/S BUN PAN RACK		

DETAILED SPECIFICATIONS



- UNITS 7 FT. AND LARGER ARE FURNISHED WITH SIX LEGS.
- FINISHED SIZE OF UNDERSHELF.
SHELF LENGTH = LENGTH MINUS 4.875"
SHELF WIDTH = WIDTH MINUS 4.25"

14 GAUGE TOP

LENGTH	24" WIDE	WT. (LBS)	30" WIDE	WT. (LBS)
48"	140-21	173	140-26	190
60"	140-22	200	140-27	219
72"	140-23	227	140-28	250
84"	140-23A	259	140-28A	284
96"	140-24	291	140-29	318
108"	140-24A	320	140-29A	349
120"	140-25	227	140-30	379

SOME UNITS SHIP UNASSEMBLED FOR REDUCED SHIPPING COST. ALL DIMENSIONS ARE TYPICAL. TOLERANCE +/- .500"
John Boos & Co. is constantly engaged in a program of improving products and therefore reserves the right to change specifications without prior notice.

