



**John  
BOOS**  
Since 1887

ITEM #: \_\_\_\_\_ QTY: \_\_\_\_\_  
 MODEL #: \_\_\_\_\_  
 PROJECT NAME: \_\_\_\_\_

3601 S. Banker St. Effingham, IL 62401 • P.O. BOX 609 • Ph: (888) 431-2667 • Fax: (800) 433-2667

## **"ST6-SSK" STAINLESS STEEL TOP WORK TABLES**



### **16GA TOP AND STAINLESS STEEL LEGS AND ADJUSTABLE UNDERSHELF**

#### **FEATURES:**

- 16 GAUGE STAINLESS STEEL TOP
- TYPE 300 STAINLESS STEEL WITH # 4 POLISH, SATIN FINISH
- TOP IS SOUND DEADENED
- REINFORCED WITH 1"X2" CHANNEL RUNNING ENTIRE LENGTH OF TABLE
- 1-1/2" STALLION EDGE ON FRONT AND REAR WITH SIDE EDGES 90 DEGREE BEND DOWN FOR TABLE LINE-UP
- STAINLESS BASE WITH ADJUSTABLE UNDERSHELF
- ADJUSTABLE BULLET FEET
- SHIPPED KNOCKED-DOWN, EASY-TO-ASSEMBLE
- NSF AND CSA CERTIFIED



ST6-3048SSK

#### **CONSTRUCTION:**

- TOP: STAINLESS STEEL TOPS ARE TIG WELDED, EXPOSED WELDS ARE POLISHED TO MATCH ADJACENT SURFACE.

#### **MATERIAL:**

- TOP: 16 GAUGE STAINLESS STEEL TYPE 300 STAINLESS STEEL WITH # 4 POLISH, SATIN FINISH
- SHELF: 18 GAUGE STAINLESS STEEL, (36" WIDE TABLES, 16 GAUGE LOWER SHELF)
- LEGS: 1-5/8" ROUND O.D., 16 GAUGE TUBULAR STAINLESSSTEEL
- GUSSETS: STAINLESS STEEL
- FEET: 1" ADJUSTABLE STAINLESS BULLET FEET



ADJUSTABLE SHELF

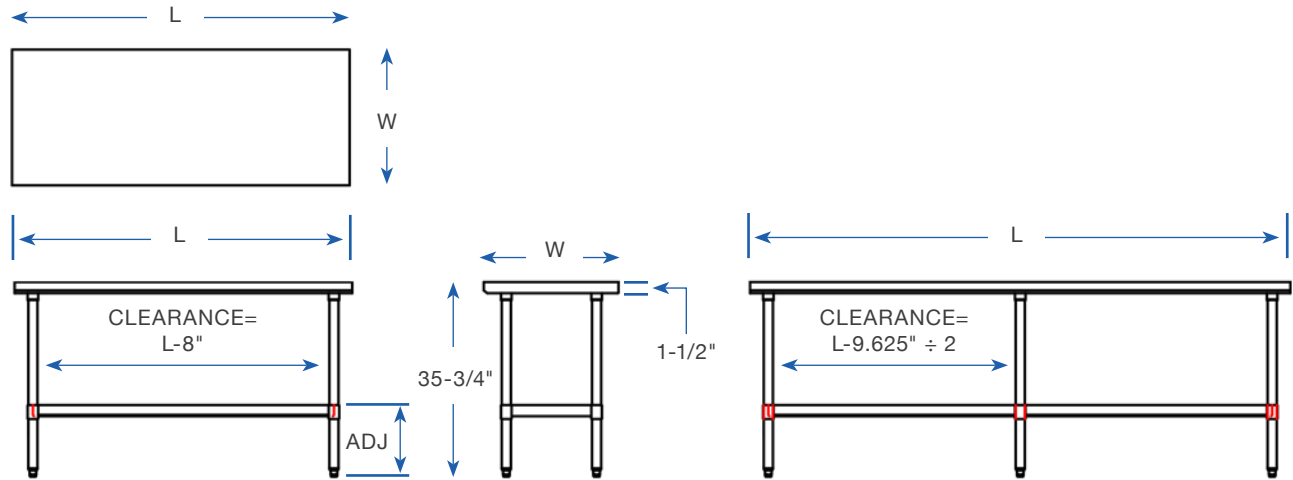
#### **16 GAUGE TOP W/ ADJUSTABLE SHELF**

24" WIDE	QTY	30" WIDE	QTY	36" WIDE	QTY
ST6-2430SSK		ST6-3030SSK		-	
ST6-2436SSK		ST6-3036SSK		ST6-3636SSK	
ST6-2448SSK		ST6-3048SSK		ST6-3648SSK	
ST6-2460SSK		ST6-3060SSK		ST6-3660SSK	
ST6-2472SSK		ST6-3072SSK		ST6-3672SSK	
ST6-2484SSK		ST6-3084SSK		ST6-3684SSK	
ST6-2496SSK		ST6-3096SSK		ST6-3696SSK	
ST6-24108SSK		ST6-30108SSK		ST6-36108SSK	
ST6-24120SSK		ST6-30120SSK		ST6-36120SSK	

#### **OPTIONAL ACCESSORIES**

DESCRIPTION	MODEL #	QTY
DRAWER		
DRAWER LOCK		
CASTERS		
OVERSHELVES		
SINKS		
POT RACK		

## DETAILED SPECIFICATIONS



- UNITS 7 FT. AND LARGER ARE FURNISHED WITH SIX LEGS.
- FINISHED SIZE OF UNDERSHELF.  
 SHELF LENGTH = LENGTH MINUS 4.875"  
 SHELF WIDTH = WIDTH MINUS 4.25

### 16 GAUGE TOP W/ ADJUSTABLE SHELF

LENGTH	24" WIDE	WT. (LBS)	30" WIDE	WT. (LBS)	36" WIDE	WT. (LBS)
30"	ST6-2430SSK		ST6-3030SSK		-	-
36"	ST6-2436SSK		ST6-3036SSK		ST6-3636SSK	
48"	ST6-2448SSK		ST6-3048SSK		ST6-3648SSK	
60"	ST6-2460SSK		ST6-3060SSK		ST6-3660SSK	
72"	ST6-2472SSK		ST6-3072SSK		ST6-3672SSK	
84"	ST6-2484SSK		ST6-3084SSK		ST6-3684SSK	
96"	ST6-2496SSK		ST6-3096SSK		ST6-3696SSK	
108"	ST6-24108SSK		ST6-30108SSK		ST6-36108SSK	
120"	ST6-24120SSK		ST6-30120SSK		ST6-36120SSK	

### MODEL # STRUCTURE

30 = WIDTH OF WORK SURFACE      120 = LENGTH OF WORK SURFACE  
 6 = 16GA WORK SURFACE            SS = STAINLESS LEGS & BRACING  
 ST = STAINLESS STEEL TOP        K = K.D. W/ ADJUSTABLE BRACING

ST6-30120SSK

SOME UNITS SHIP UNASSEMBLED FOR REDUCED SHIPPING COST. ALL DIMENSIONS ARE TYPICAL. TOLERANCE +/- .500"  
 John Boos & Co. is constantly engaged in a program of improving products and therefore reserves the right to change specifications without prior notice.

