



**John
BOOS**
Since 1887

ITEM #: _____ QTY: _____
 MODEL #: _____
 PROJECT NAME: _____

3601 S. Banker St. Effingham, IL 62401 • P.O. BOX 609 • Ph: (888) 431-2667 • Fax: (800) 433-2667

"GS6-SBK" EQUIPMENT STANDS W/ STAINLESS BASE



FEATURES:

- 16GA TYPE 300 STAINLESS STEEL TOP WITH #4 POLISH, SATIN FINISH
- 1-1/2" TURNED UP BACK AND BOTH ENDS, W/ 7/8" RADIUS FRONT EDGE
- TOP FRAME IS REINFORCED BY A FULL FRAME FABRICATED OF 1-1/2" SQUARE O.D. TUBE 16GA PRE-GALVANIZED STEEL
- STAINLESS STEEL BASE
- SHIPPED KNOCKED-DOWN, EASY - TO - ASSEMBLE

MATERIAL:

- TOP: 16GA STAINLESS STEEL TYPE 300 STAINLESS STEEL WITH #4 POLISH, SATIN FINISH
- BRACING: 1-1/4" ROUND O.D. 18GA TUBULAR STAINLESS STEEL
- LEGS: 1-5/8" ROUND O.D. 16GA TUBULAR STAINLESS STEEL
- GUSSETS: STAINLESS STEEL
- FEET: 1" BULLET FEET

CONSTRUCTION:

- TOP: STAINLESS STEEL TOPS ARE TIG WELDED, EXPOSED WELDS ARE POLISHED TO MATCH ADJACENT SURFACE
- BASE: MIG WELDED STAINLESS FRAME



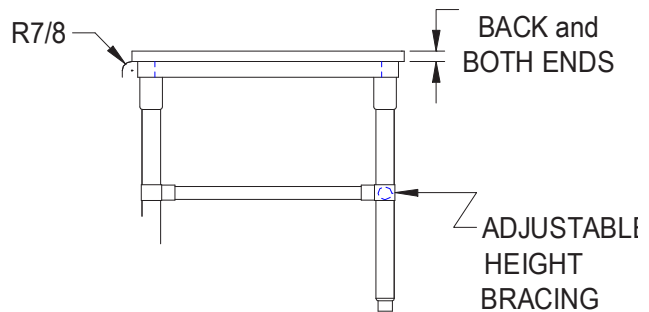
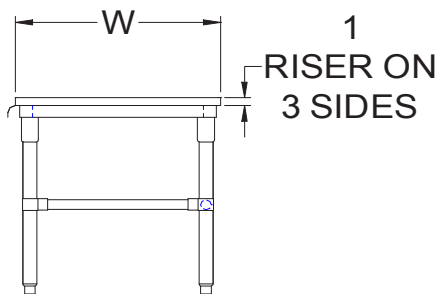
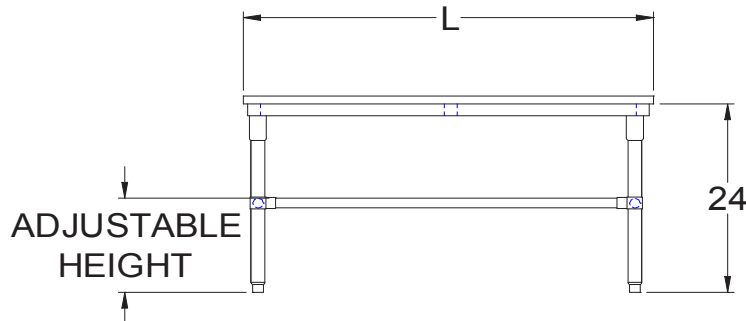
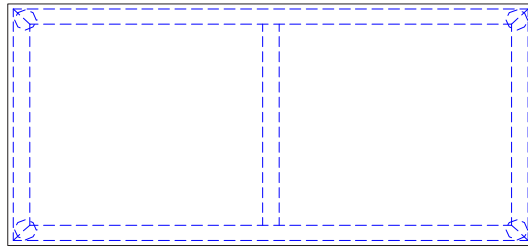
"GS6-SBK" EQUIPMENT STANDS W/ STAINLESS STEEL BRACING BASE

24" WIDE	QTY	30" WIDE	QTY	36" WIDE	QTY
GS6-2415SBK		GS6-3015SBK		GS6-3615SBK	
GS6-2418SBK		GS6-3018SBK		GS6-3618SBK	
GS6-2424SBK		GS6-3024SBK		GS6-3624SBK	
GS6-2436SBK		GS6-3036SBK		GS6-3636SBK	
GS6-2448SBK		GS6-3048SBK		GS6-3648SBK	
GS6-2460SBK		GS6-3060SBK		GS6-3660SBK	
GS6-2472SBK		GS6-3072SBK		GS6-3672SBK	

OPTIONAL ACCESSORIES

DESCRIPTION	QTY
MAPLE CUTTING BOARDS	
WELDED SET-UP	

"GS6-SBK" EQUIPMENT STANDS DETAILED SPECIFICATIONS



"GS6-SBK" EQUIPMENT STANDS W/ STAINLESS STEEL BRACING BASE

LENGTH	24" WIDE	WT. (LBS)	30" WIDE	WT. (LBS)	36" WIDE	WT. (LBS)
15"	GS6-2415SBK	30	GS6-3015SBK	36	GS6-3615SBK	38
18"	GS6-2418SBK	36	GS6-3018SBK	40	GS6-3618SBK	44
24"	GS6-2424SBK	47	GS6-3024SBK	51	GS6-3624SBK	55
36"	GS6-2436SBK	65	GS6-3036SBK	69	GS6-3636SBK	73
48"	GS6-2448SBK	80	GS6-3048SBK	90	GS6-3648SBK	100
60"	GS6-2460SBK	95	GS6-3060SBK	111	GS6-3660SBK	127
72"	GS6-2472SBK	111	GS6-3072SBK	132	GS6-3672SBK	154

SOME UNITS SHIP UNASSEMBLED FOR REDUCED SHIPPING COST. ALL DIMENSIONS ARE TYPICAL. TOLERANCE +/- .500"
John Boos & Co. is constantly engaged in a program of improving products and therefore reserves the right to change specifications without prior notice.