



**John
BOOS**
Since 1887

ITEM #: _____ QTY: _____
 MODEL #: _____
 PROJECT NAME: _____

3601 S. Banker St. Effingham, IL 62401 • P.O. BOX 609 • Ph: (888) 431-2667 • Fax: (800) 433-2667

"ET1S" STAINLESS STEEL ENCLOSED WORK TABLES

SLIDING DOOR STYLE WITH 1-3/4" THICK HARD ROCK MAPLE TOP WITH 4" COVED REAR RISER



FEATURES:

- 1-3/4" THICK HARD ROCK MAPLE TOP "SC" STYLE WITH 4" COVED REAR RISER
- MAPLE TOP IS FINISHED WITH PENETRATING OIL WITH OPTIONAL NATURAL CLEAR VARNIQUE FINISH
- STAINLESS STEEL TOP, CABINET, & UNDERSHELF, TYPE 300 STAINLESS STEEL WITH #4 POLISH, SATIN FINISH
- UNDERSHELF IS SECURED IN A FIXED POSITION, 14-7/8" ABOVE FLOOR
- SHIPPED STANDARD WELDED SET-UP
- OPTIONAL DRAWERS, CASTERS, POT RACKS, ETC. AVAILABLE
- NSF AND DEPT. OF AGRICULTURE APPROVED

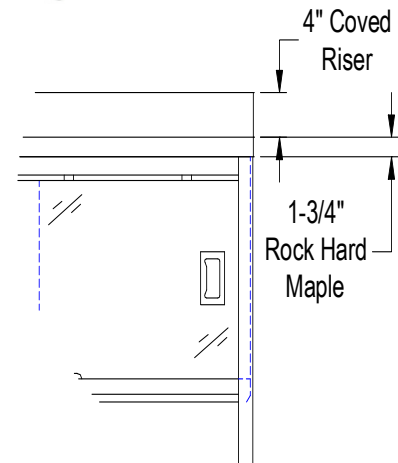


CONSTRUCTION:

- TOP: STAINLESS STEEL TOPS ARE TIG WELDED, EXPOSED WELDS ARE POLISHED TO MATCH ADJACENT SURFACE.

MATERIAL:

- TOP: 1-3/4" THICK HARD ROCK MAPLE WITH 4" COVED REAR RISER. FINISHED WITH PENETRATING OIL
- DOORS: 18 GAUGE TYPE 300 STAINLESS STEEL, #4 POLISH WITH SATIN FINISH
- SHELF: 18 GAUGE TYPE 300 STAINLESS STEEL, #4 POLISH WITH SATIN FINISH
- LEGS: 1-1/2" SQUARE O.D., 16 GAUGE TYPE 300 TUBULAR STAINLESS STEEL
- PANELS: 22 GAUGE TYPE 300 STAINLESS STEEL, #4 POLISH WITH SATIN FINISH
- FEET: 1" ADJUSTABLE STAINLESS STEEL FEET



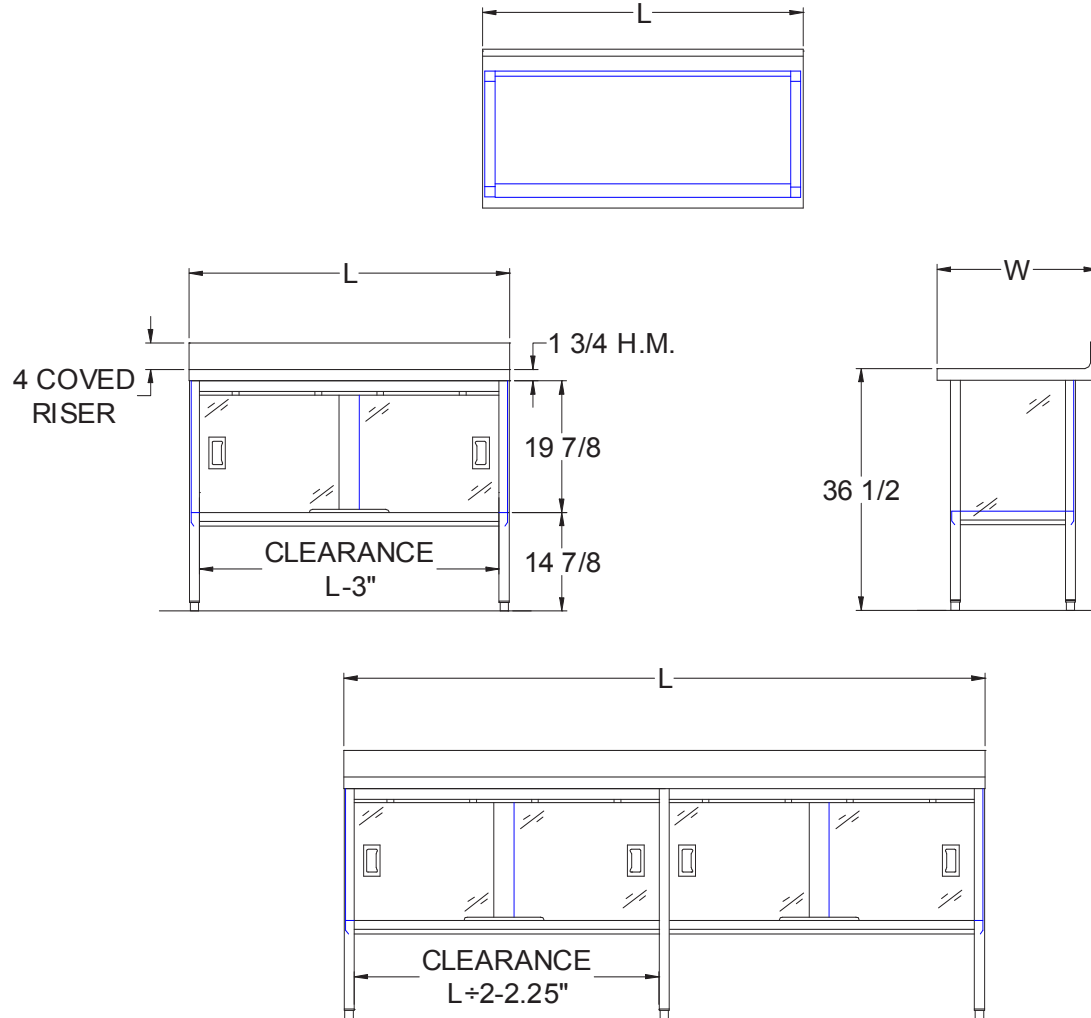
1-3/4" MAPLE TOP

24" WIDE	QTY	30" WIDE	QTY
ET1S01		ET1S06	
ET1S02		ET1S07	
ET1S03		ET1S08	
ET1S03A		ET1S08A	
ET1S04		ET1S09	
ET1S04A		ET1S09A	
ET1S05		ET1S10	

OPTIONAL ACCESSORIES

DESCRIPTION	MODEL #	QTY
CASTERS		
OVERSHELVES		
POT RACKS		
INTERMEDIATE SHELVES		
S/S BUN PAN RACK		

DETAILED SPECIFICATIONS



- UNITS 7 FT. AND LARGER ARE FURNISHED WITH SIX LEGS.
- FINISHED SIZE OF UNDERSHELF.
SHELF LENGTH = LENGTH MINUS 4.875"
SHELF WIDTH = WIDTH MINUS 4.25"

1-3/4" MAPLE TOP

LENGTH	24" WIDE	WT. (LBS)	30" WIDE	WT. (LBS)
48"	ET1S01	145	ET1S06	167
60"	ET1S02	180	ET1S07	210
72"	ET1S03	210	ET1S08	249
84"	ET1S03A	248	ET1S08A	281
96"	ET1S04	285	ET1S09	313
108"	ET1S04A	315	ET1S09A	369
120"	ET1S05	345	ET1S10	425

SOME UNITS SHIP UNASSEMBLED FOR REDUCED SHIPPING COST. ALL DIMENSIONS ARE TYPICAL. TOLERANCE +/- .500"
John Boos & Co. is constantly engaged in a program of improving products and therefore reserves the right to change specifications without prior notice.

